

SNATCH BLOCK, TAIL BOARD, SINGLE SHEAVE, 15-60t

Fatigue Resistant



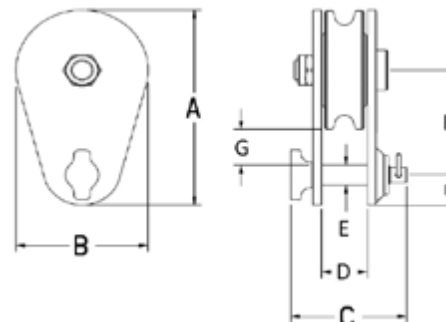
406



407



401



- Opening feature permits easy insertion of rope without reeving. Bolt for opening feature is retained, to ensure no lost bolts.
- Can be furnished with bronze bushings or roller bearings.
- Center pin equipped with pressure lube fitting.
- All sizes feature sheave grooves suited for a range of wireline diameters.
- Meets or exceeds all requirements of ASME B30.26. Importantly, these blocks meet other critical performance requirements including fatigue life and material traceability, not addressed by ASME B30.26.



APPLICATION AND WARNING INFORMATION SECTION 17

Working Load Limit (t)	Wire Rope Diameter (mm)	Sheave Diameter (mm)	Bearing Code	Weight Each (kg)	Model No.	Stock No.	Dimensions (mm)								
							A	B	C	D	E	F	G	H	
15 metric tons															
15	19 - 22	203	BB	13.6	406	108311	335	206	130	60	32	171	54	60.5	
15	19 - 22	203	RB	13.6	406	108312	335	206	130	60	32	171	54	60.5	
15	19 - 22	254	BB	19.1	406	108406	379	257	130	60	32	191	49	60.5	
15	19 - 22	254	RB	19.1	406	108407	379	257	130	60	32	191	49	60.5	
20 metric tons															
20	26 - 29	203	BB	19.1	407	103523	344	206	152	65	38	181	60	60.5	
20	26 - 29	203	RB	19.1	407	103541	344	206	152	65	38	181	60	60.5	
20	26 - 29	254	BB	24.9	407	103603	397	257	152	65	38	208	62	60.5	
20	26 - 29	254	RB	24.9	407	103621	397	257	152	65	38	208	62	60.5	
20	26 - 29	305	BB	31.8	407	103685	451	311	152	65	38	235	65	60.5	
20	26 - 29	305	RB	31.8	407	103701	451	311	152	65	38	235	65	60.5	
20	26 - 29	356	BB	40.8	407	103765	511	356	152	65	38	272	75	60.5	
20	26 - 29	356	RB	40.8	407	103783	511	356	152	65	38	272	75	60.5	
25 metric tons															
25	26 - 32	203	BB	22.7	401	178151	343	210	156	65	38	181	60	57.2	
25	26 - 32	254	BB	29.5	401	179167	392	260	156	65	38	208	62	53.8	
25	26 - 32	457	BB	74.8	407	119652	625	464	181	77	44	330	79	63.5	
25	26 - 32	457	RB	74.8	407	119653	625	464	181	77	44	330	79	63.5	
30 metric tons															
30	26 - 32	305	BB	43.1	401	179178	473	311	178	77	44	254	79	63.5	
30	26 - 32	356	BB	49.9	401	179187	530	362	178	77	44	286	86	63.5	
30	26 - 32	508	BB	97.5	407	119669	734	514	211	90	57	387	105	88.9	
30	26 - 32	508	RB	97.5	407	119678	734	514	211	90	57	387	105	88.9	
30	26 - 32	610	BB	131.5	407	119687	826	616	211	90	57	429	95	88.9	
30	26 - 32	610	RB	131.5	407	119696	826	616	211	90	57	429	95	88.9	
60 metric tons															
60	26 - 32	305	BB	43.1	401	8027292	516	308	220	71	64	273	89	88.9	

4:1 Design Factor.

15