

# SNATCH BLOCK WITH HOOK FITTING, SINGLE SHEAVE, 15-30t



420



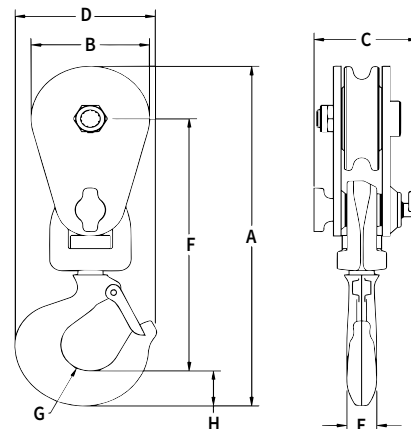
418



430



434



- Opening feature permits easy insertion of rope without reeving, or while the block is suspended.
- Furnished with a latch installed.
- Can be furnished with bronze bushings or roller bearings.
- Center pin equipped with pressure lube fitting.
- All sizes feature sheave grooves suited for a range of wireline diameters.
- Meets or exceeds all requirements of ASME B30.26. Importantly, these blocks meet other critical performance requirements including fatigue life and material traceability, not addressed by ASME B30.26.
- 434 snatch blocks feature a significant reduction in weight compared to snatch blocks made of non-alloy materials.
- Crosby's Engineered Solutions Group is ready to discuss your requirements and help select or develop the ideal block for your application.
- Visit [thecrosbygroup.com/engineeredolutions](http://thecrosbygroup.com/engineeredolutions) for more information.



APPLICATION AND WARNING INFORMATION SECTION 17

Working Load Limit (t)	Wire Rope Diameter (mm)	Sheave Diameter (mm)	Bearing Code	Weight Each (kg)	Catalog No.	Stock No.	Dimensions (mm)							
							A	B	C	D	E	F	G	H
<b>15 metric tons</b>														
15	19 - 22	203	BB	23.1	420	108275	597	206	129	212	45	419	38	74
15	19 - 22	203	RB	23.1	420	108276	597	206	129	212	45	419	38	74
15	19 - 22	254	BB	28.6	420	108371	641	257	129	212	45	438	38	74
15	19 - 22	254	RB	28.6	420	108372	641	257	129	212	45	438	38	74
15	19 - 22	406	BB	59.0	418	108608	819	409	129	212	45	540	38	74
15	19 - 22	406	RB	59.0	418	108626	819	409	129	212	45	540	38	74
15	22 - 26	457	BB	68.0	418	108644	851	460	129	212	45	546	38	74
15	22 - 26	457	RB	68.0	418	108662	851	460	129	212	45	546	38	74
<b>20 metric tons</b>														
20	26 - 29	203	BB	34.0	430	120023	657	206	152	239	51	468	38	86
20	26 - 29	203	RB	34.0	430	120041	657	206	152	239	51	468	38	86
20	26 - 29	254	BB	40.4	430	120096	710	257	152	239	51	495	38	86
20	26 - 29	254	RB	40.4	430	120112	710	257	152	239	51	495	38	86
20	26 - 29	305	BB	46.7	430	120176	762	311	152	239	51	521	38	86
20	26 - 29	305	RB	46.7	430	120194	762	311	152	239	51	521	38	86
20	26 - 29	356	BB	55.8	430	120256	821	356	152	239	51	558	38	86
20	26 - 29	356	RB	55.8	430	120274	821	356	152	239	51	558	38	86
<b>25 metric tons</b>														
25	26 - 32	203	BB	40.8	434	208896	675	210	156	238	51	484	38	86
25	26 - 32	254	BB	48.5	434	208910	727	260	156	238	51	511	38	86
25	26 - 32	457	BB	108.9	430	119486	1052	464	181	299	64	710	49	110
25	26 - 32	457	RB	108.9	430	119487	1052	464	181	299	64	710	49	110
<b>30 metric tons</b>														
30	26 - 32	305	BB	74.8	434	208931	923	311	178	299	64	657	49	110
30	26 - 32	356	BB	81.6	434	208932	980	362	178	299	64	689	49	110
30	26 - 32	508	BB	170.1	430	119507	1325	514	211	387	76	917	57	150
30	26 - 32	508	RB	170.1	430	119516	1325	514	211	387	76	917	57	150
30	26 - 32	610	BB	204.1	430	119525	1416	616	211	387	76	959	57	150
30	26 - 32	610	RB	204.1	430	119534	1416	616	211	387	76	959	57	150

4:1 Design Factor.