

SNATCH BLOCK WITH SHACKLE FITTING, SINGLE SHEAVE, 15-60t

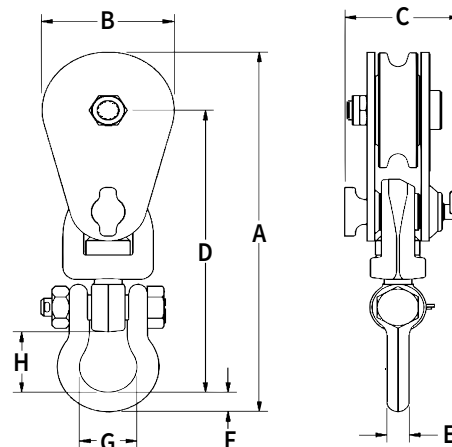


421

419

431

435



- Opening feature permits easy insertion of rope without reeving, or while the block is suspended.
- Can be furnished with bronze bushings or roller bearings.
- Center pin equipped with pressure lube fitting.
- All sizes feature sheave grooves suited for a range of wireline diameters.
- Meets or exceeds all requirements of ASME B30.26. Importantly, these blocks meet other critical performance requirements including fatigue life and material traceability, not addressed by ASME B30.26.
- 435 alloy snatch blocks feature a significant reduction in weight compared to snatch blocks made of non-alloy materials.
- Crosby's Engineered Solutions Group is ready to discuss your requirements and help select or develop the ideal block for your application. Visit thecrosbygroup.com/engineeredolutions for more information.



APPLICATION AND WARNING INFORMATION SECTION 17

Working Load Limit (t)	Wire Rope Diameter (mm)	Sheave Diameter (mm)	Bearing Code	Weight Each (kg)	Catalog No.	Stock No.	Dimensions (mm)							
							A	B	C	D	E	F	G	H
15 metric tons														
15	19 - 22	203	BB	26.8	421	108308	584	206	129	437	38	44	79	79
15	19 - 22	203	RB	26.8	421	108309	584	206	129	437	38	44	79	79
15	19 - 22	254	BB	30.8	421	108390	629	257	129	456	38	44	79	79
15	19 - 22	254	RB	30.8	421	108391	629	257	129	456	38	44	79	79
15	19 - 22	406	BB	59.0	419	109607	806	409	129	559	38	44	79	79
15	19 - 22	406	RB	59.0	419	109625	806	409	129	559	38	44	79	79
15	22 - 26	457	BB	72.1	419	109643	841	460	129	565	38	44	79	79
15	22 - 26	457	RB	72.1	419	109661	841	460	129	565	38	44	79	79
20 metric tons														
20	26 - 29	203	BB	41.7	431	121022	675	206	152	502	51	70	94	101
20	26 - 29	203	RB	41.7	431	121040	675	206	152	502	51	70	94	101
20	26 - 29	254	BB	50.8	431	121095	727	257	152	526	51	70	94	102
20	26 - 29	254	RB	50.8	431	121111	727	257	152	526	51	70	94	102
20	26 - 29	305	BB	59.0	431	121175	779	311	152	553	51	70	94	102
20	26 - 29	305	RB	59.0	431	121193	779	311	152	553	51	70	94	102
20	26 - 29	356	BB	72.6	431	121255	838	356	152	591	51	70	94	102
20	26 - 29	356	RB	72.6	431	121273	838	356	152	591	51	70	94	102
25 metric tons														
25	26 - 32	203	BB	46.7	435	208954	688	210	156	513	51	70	94	102
25	26 - 32	254	BB	53.1	435	208965	745	260	156	545	51	70	94	102
25	26 - 32	457	BB	122.5	431	119495	1051	464	181	740	51	79	89	122
25	26 - 32	457	RB	127.0	431	119496	1051	464	181	740	51	79	89	122
30 metric tons														
30	26 - 32	305	BB	94.3	435	208976	930	311	178	695	51	79	89	122
30	26 - 32	356	BB	104.3	435	208977	987	362	178	727	51	79	89	122
30	26 - 32	508	BB	228.2	431	119589	1331	514	211	974	64	100	143	179
30	26 - 32	508	RB	220.0	431	119598	1331	514	211	974	64	100	143	179
30	26 - 32	610	BB	263.5	431	119605	1422	616	211	1016	64	100	143	179
30	26 - 32	610	RB	260.8	431	119614	1422	616	211	1016	64	100	143	179
60 metric tons														
60	26 - 32	305	BB	142.9	435	8027291	1058	308	220	843	52	61	146	155

15

4:1 Design Factor.