

# SNATCH BLOCK WITH SHACKLE FITTING, SINGLE SHEAVE, 2-12t



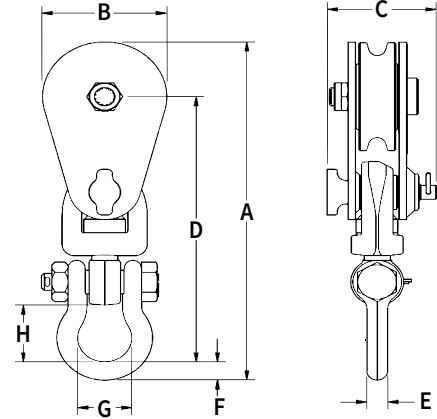
L-170



L-160



417



- Opening feature permits easy insertion of rope without reeving, or while the block is suspended.
- Bolt for opening feature is retained, to ensure no lost bolts.
- Forged steel swivel tees, yokes and shackles.
- Can be furnished with bronze bushings or roller bearings.
- Center pin equipped with pressure lube fitting.
- All sizes feature sheave grooves suited for a range of wireline diameters.
- Meets or exceeds all requirements of ASME B30.26. Importantly, these blocks meet other critical performance requirements including fatigue life and material traceability, not addressed by ASME B30.26.
- 417 alloy snatch blocks feature a significant reduction in weight compared to snatch blocks made of non-alloy materials.
- L-170 snatch blocks (with shackle or hook) feature an easy-to-open bolt design. The retaining bolt is released by rotating the fitting assembly, no tools required.
- Crosby's Engineered Solutions Group is ready to discuss your requirements and help select or develop the ideal block for your application.
- Visit [thecrosbygroup.com/engineeredolutions](http://thecrosbygroup.com/engineeredolutions) for more information.



APPLICATION AND WARNING INFORMATION SECTION 17

Working Load Limit (t)	Wire Rope Diameter (mm)	Sheave Diameter (mm)	Bearing Code	Weight Each (kg)	Catalog No.	Stock No.	Dimensions (mm)							
							A	B	C	D	E	F	G	H
<b>2 metric tons</b>														
2	8 - 10	76	BB	1.8	419 w/Eye	109037†	220	76	67	168	14	14	35	35
2	8 - 10	76	BB	2.3	419	109091	235	76	67	185	13	13	34	40
<b>4 metric tons</b>														
4	10 - 13	114	BB	5.4	419	109064	340	108	79	268	16	18	43	51
<b>5 metric tons</b>														
5	10 - 13 ‡	102	BB	5.0	L-170	599828	353	114	75	278	16	18	43	51
5	10 - 13 ‡	102	RB	5.0	L-170	599837	353	114	75	278	16	18	43	51
<b>6 metric tons</b>														
6*	10 - 13	127	BB	5.9	L-160	599524	351	130	94	268	16	18	43	51
6*	10 - 13	127	RB	5.9	L-160	599533	351	130	94	268	16	18	43	51
<b>8 metric tons</b>														
8	16 - 19	152	BB	12.7	419	109126	481	152	106	373	32	32	76	88
8	16 - 19	152	RB	12.7	419	109153	481	152	106	373	32	32	76	88
8	16 - 19	203	BB	15.0	419	109224	533	206	106	398	32	32	76	88
8	16 - 19	203	RB	15.0	419	109251	533	206	106	398	32	32	76	88
8	16 - 19	254	BB	19.5	419	109322	586	257	106	425	32	32	76	88
8	16 - 19	254	RB	19.5	419	109359	586	257	106	425	32	32	76	88
8	16 - 19	305	BB	24.9	419	109420	657	308	106	471	32	32	76	88
8	16 - 19	305	RB	24.9	419	109457	657	308	106	471	32	32	76	88
8	16 - 19	356	BB	30.4	419	109527	695	359	106	484	32	32	76	88
8	16 - 19	356	RB	30.4	419	109545	695	359	106	484	32	32	76	88
<b>12 metric tons</b>														
12*	16 - 19	146	BB	13.2	L-160	599588	483	152	106	375	32	32	76	88
12*	16 - 19	146	RB	13.2	L-160	599597	483	152	106	375	32	32	76	88
12	19 - 22	152	BB	12.7	417	168972	481	152	106	373	32	32	76	88
12	19 - 22	152	RB	12.7	417	193757	481	152	106	373	32	32	76	88
12	19 - 22	203	BB	15.4	417	168990	533	206	106	398	32	32	76	88
12	19 - 22	203	RB	15.4	417	193819	533	206	106	398	32	32	76	88
12	19 - 22	254	BB	19.1	417	193882	586	257	106	425	32	32	76	88
12	19 - 22	254	RB	19.1	417	193935	586	257	106	425	32	32	76	88

4:1 Design Factor. \*3.5:1 Design Factor. † Fitted with 32mm ID Swivel Eye ‡ Special Dual Groove Sheave also accepts 32mm Manila Rope.