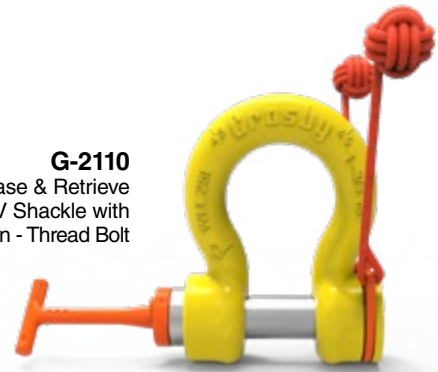
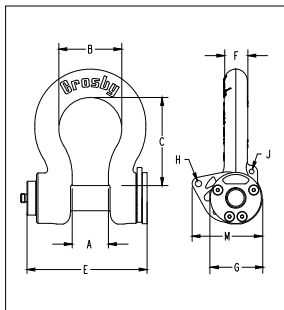




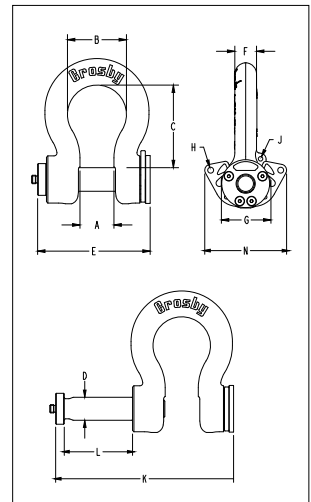
G-2100
Release & Retrieve
ROV Shackle with
QUIC-Thread Bolt



G-2110
Release & Retrieve
ROV Shackle with
Non - Thread Bolt



- Forged alloy bow with an industry best 6 to 1 performance design factor.
- Patented captured bolt can withstand over 907 kg (2,000 lb) of pull-out force.
- Galvanized bow with an API RP 17H color compliant coating.
- Galvanized alloy bolt (non-threaded) (G-2110)
- On average, QUIC-Thread bolt requires only 3.5 rotations for full engagement (G-2100)
- Raised pad for serialization.
- API RP 17H compliant 316 stainless steel handles available in T, D, F, and Eye models (sold separately).
- Built in eyelets for optional tether points.
- Monkey fist(s) included.
- Capacities from 9.5t through 85t.
- Forged steel, Quenched & Tempered, with alloy pins.
- Working Load Limit permanently shown on every shackle.
- QUIC-CHECK® deformation and angle indicators forged on the bow.



G-2100 ROV Release & Retrieve Shackle – QUIC-Threaded

Working Load Limit (t)*	Stock No.	Weight Each (kg)	Dimensions (mm)												
			A	B	C	D	E	F	G	H	J	K	L	N	
9.5	2038739	5.1	46.0	73.9	108	31.8	186	29.5	2.68	11.2	7.9	293	107	97.3	
12	2038762	6.2	51.6	82.6	119	35.1	197	32.8	3.00	11.2	7.9	311	114	101	
17	2038785	10.7	60.5	98.6	146	41.4	217	38.9	3.62	12.7	7.9	349	132	126	
25	2038614	17.5	73.2	127	178	50.8	242	46.7	4.20	12.7	9.7	393	151	141	
35	2038808	23.3	82.6	146	197	57.9	264	52.8	4.82	12.7	9.7	431	167	149	
55	2038831	49	105	184	266	70.6	320	69.1	5.81	12.7	9.7	527	207	191	
85	2038877	71	127	200	330	83.3	361	79.2	6.50	12.7	12.7	600	238	199	

6:1 Design Factor. *Note: Maximum Proof Loads are 2xWLL in metric tons.

G-2110 ROV Release & Retrieve Shackle – Non-Threaded

Working Load Limit (t)*	Stock No.	Weight Each (kg)	Dimensions (mm)												
			A	B	C	D	E	F	G	H	J	K	L	N	
9.5	2038740	5.2	46.0	73.9	108	31.8	186	29.5	68.1	9.7	7.9	293	107	126	
12	2038763	6.3	51.6	82.6	119	35.1	197	32.8	76.2	9.7	7.9	311	114	126	
17	2038786	10.8	60.5	98.6	146	41.4	217	38.9	91.9	12.7	7.9	349	132	160	
25	2038621	17.5	73.2	127	178	50.8	242	46.7	107	12.7	9.7	393	151	176	
35	2038809	23.3	82.6	146	197	57.9	264	52.8	122	12.7	9.7	431	167	176	
55	2038832	49	105	184	266	70.6	320	69.1	148	12.7	9.7	527	207	217	
85	2038878	71	127	200	330	83.3	361	79.2	165	12.7	12.7	600	238	217	

6:1 Design Factor. Maximum Proof Load is 2 times the Working Load Limit.

