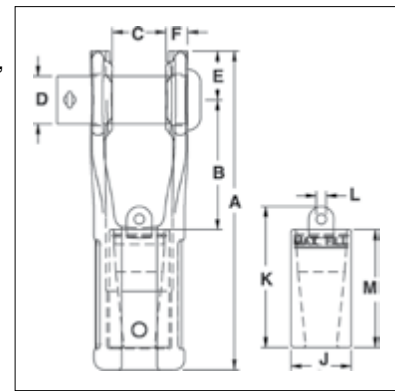


SB-427



- Available in six sizes from 13mm - 38mm.
- Button Spelter terminations have a 100% efficiency rating, based on the catalog strength of the wire rope.
- Designed for use with mobile cranes. Can be used to terminate high performance, rotation resistant ropes, and standard 6 strand ropes.
- Easy to install assembly utilizes Crosby WIRELOCK® socketing compound.
- Sockets and buttons are re-usable.
- Replacement buttons and sockets are available.
- Locking feature available to prevent rotation of rope.
- Button contains cap with eye that can be attached to, and used to pull, rope during reeving process.
- Manufactured to the requirements of API-2C.



APPLICATION AND WARNING INFORMATION
SECTION 17

SB-427 Button Spelter Sockets

Wire Rope Size		Stock No.	Ultimate Load (t)	Weight Each (kg)	Button Only Stock No.	Dimensions (mm)										Tolerance +/- (mm)
(in)	(mm)					A	B	C	D	E	F	J	K	L	M	
1/2 - 5/8	13-16	1052005	27	2.76	1052309	202	82	33	30	31	14	38	89	6	74	1.52
5/8 - 3/4	16-19	1052014	45	4.67	1052318	240	99	39	35	37	17	44	109	10	87	1.52
3/4 - 7/8	19-22	1052023	57	7.75	1052327	275	112	45	41	43	19	52	121	10	101	1.52
7/8 - 1	22-26	1052032	82	13.24	1052336	327	139	52	51	51	23	62	143	16	115	2.29
1-1/8 - 1-1/4	28-32	1052041	136	20.86	1052345	378	144	64	57	64	28	75	180	19	145	2.29
1-3/8 - 1-1/2	35-38	1052050	161	35.38	1052354	459	182	77	70	70	31	92	205	19	172	2.29

SB-427TB (Bolt, Nut and Cotter Pin)

Wire Rope Size		Stock No.	Ultimate Load (t)	Weight Each (kg)	Button Only Stock No.	Dimensions (mm)										Tolerance +/- (mm)
(in)	(mm)					A	B	C	D	E	F	J	K	L	M	
1/2 - 5/8	13-16	1052406	27	2.76	1052309	202	82	33	30	31	14	38	89	6	74	1.52
5/8 - 3/4	16-19	1052415	45	4.67	1052318	240	99	39	35	37	17	44	109	10	87	1.52
3/4 - 7/8	19-22	1052424	57	7.75	1052327	275	112	45	41	43	19	52	121	10	101	1.52
7/8 - 1	22-26	1052433	82	13.24	1052336	327	139	52	51	51	23	62	143	16	115	2.29
1-1/8 - 1-1/4	28-32	1052442	136	20.86	1052345	378	144	64	57	64	28	75	180	19	145	2.29
1-3/8 - 1-1/2	35-38	1052451	161	35.38	1052354	459	182	77	70	70	31	92	205	19	172	2.29

Wirelock® Requirements

Wire Rope Size		WIRELOCK Required	WIRELOCK Stock No.	WIRELOCK Kit Size
(in)	(mm)	(cc)		(cc)
1/2 - 5/8	13-16	35	1039602	100
5/8 - 3/4	16-19	60	1039602	100
3/4 - 7/8	19-22	100	1039602	100
7/8 - 1	22-26	140	1039602*	100
1-1/8 - 1-1/4	28-32	250	1039604	250
1-3/8 - 1-1/2	35-38	420	1039606	500

* 2 kits required.