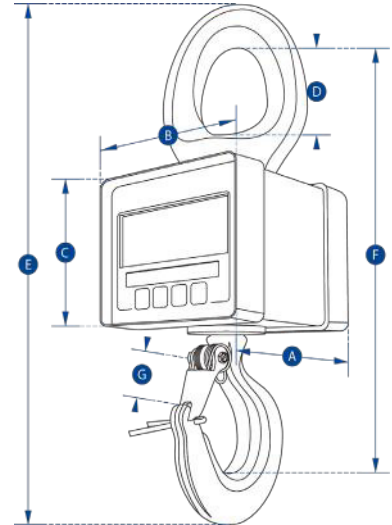


Miniweigher Plus



- Compact size and lightweight.
- Capacities from 100kg to 5t.
- Large 25mm or 1 in LCD display.
- High accuracy.
- Selectable Units te, lbs, kN, kg.
- Highest resolution of any compact digital crane scale on the market.
- Peak hold.
- Preset tare.
- Overload counter.
- 90dB audible set point alarm.
- RS-485 serial output.
- Corrosion-resistant finish.

Optional connection to Crosby SP's Handheld Plus – Crosby SP Part Nos. HHP 2789030



2

| Part Numbers SP | MWP100KG | MWP250KG | MWP500KG | MWP1T | MWP2T | MWP5T |
|------------------|--|----------|----------|---------|---------|---------|
| Crosby | 2789055 | 2789057 | 2789059 | 2789056 | 2789058 | 2789060 |
| Capacity (kg) | 100 | 250 | 500 | 1000 | 2 t | 5 t |
| (lb) | 220 | 550 | 1100 | 2200 | 4400 | 11000 |
| Resolution (kg) | 0.05 | 0.1 | 0.2 | 0.5 | 0.001 t | 0.001 t |
| (lb) | 0.1 | 0.2 | 0.5 | 1 | 2 | 2 |
| Units (metric) | metric tons, kilograms, kilonewtons and pounds | | | | | |
| Weight (kg) | 1.5 | 1.5 | 1.5 | 1.5 | 3.1 | 8.7 |
| (lb) | 3.3 | 3.3 | 3.3 | 3.3 | 6.8 | 19.2 |
| Design Factor | 10:1 | 5:1 | 5:1 | 5:1 | 5:1 | 5:1 |
| Battery Type | 9v PP3 | | | | | |
| Battery Life | 80 hours continuous | | | | | |
| Display Type | 6 digit 25mm LCD or 6 digit 1in LCD | | | | | |
| Operating Temp. | -10°C to +50°C / 14°F to 122°F | | | | | |
| Accuracy | ±0.1% of full scale | | | | | |
| Protection | IP65 / NEMA4X | | | | | |
| Dimension A (mm) | 81 | 81 | 81 | 81 | 117 | 136 |
| (in) | 3.19 | 3.19 | 3.19 | 3.19 | 4.61 | 5.35 |
| Dimension B (mm) | 112 | 112 | 112 | 112 | 112 | 112 |
| (in) | 4.41 | 4.41 | 4.41 | 4.41 | 4.41 | 4.41 |
| Dimension C (mm) | 81 | 81 | 81 | 81 | 92 | 92 |
| (in) | 3.19 | 3.19 | 3.19 | 3.19 | 3.62 | 3.62 |
| Dimension D (mm) | 33 | 33 | 33 | 33 | 43 | 62 |
| (in) | 1.30 | 1.30 | 1.30 | 1.30 | 1.69 | 2.44 |
| Dimension E (mm) | 222 | 222 | 222 | 222 | 283 | 349 |
| (in) | 8.74 | 8.74 | 8.74 | 8.74 | 11.14 | 13.74 |
| Dimension F (mm) | 183 | 183 | 183 | 183 | 238 | 286 |
| (in) | 7.20 | 7.20 | 7.20 | 7.20 | 9.37 | 11.26 |
| Dimension G (mm) | 22 | 22 | 22 | 22 | 28 | 42 |
| (in) | 0.87 | 0.87 | 0.87 | 0.87 | 1.10 | 1.65 |