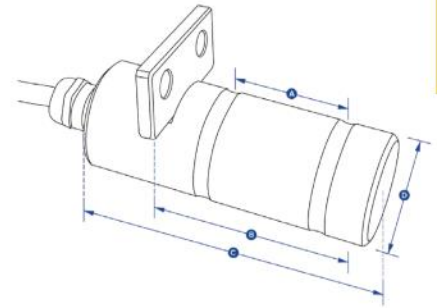


Loadpin



- Designed for use in applications where an end of line loadcell cannot be used, meaning an integrated solution is required.
- High tensile stainless steel.
- Supplied complete with an anti-rotation plate as a cabled or wireless solution.
- Built to withstand the harshest environments in industries such as marine and offshore oil and gas.
- Suitable for use in exposed situations and can also be supplied to withstand immersion in seawater at extreme depths.
- Supplied with a 10 meter or 32ft cable as standard, however, usable cable length varies greatly with lengths available to 1500 meters or 4900ft, depending on output format.
- Include mV/V, RS-485, utilizing the ASCII, MODBUS RTU and CAN-BUS protocols or an analog output such as 4-20mA for PLC integration.
- Design validated by FEA.



Also available with hazardous area approval. Zones 0, 1 & 2

Ex IEC IECEx

ATEX / IECEx
Ex ia II C T4 Ga

Certification numbers:
LP-ATEX IECEx SIR 16.024X/Sira 15ATEX2108X
SP-WHP-ATEX IECEx SIR 15.0072X/Sira 15ATEX2108X

Add ATEX to the part number when ordering ATEX/IECEx products. For example: LP500KG-ATEX

Note: Please advise cable configuration on order – Radial or axial pin exit. If you require a Loadpin to a particular size and design, download Crosby Straightpoint's Loadpin questionnaire and return, POA. thecrosbygroup.com/loadpin



Requires connection to Crosby Straightpoint's Handheld Plus (HHP) or External Amplifier range (SA-3420) that can be configured to provide 4-20mA output for PLC or data logger integration.



Part Numbers SP	LP500kg	LP1T	LP2.5T	LP3.5T	LP6.5T	LP15T	LP25T	LP50T	LP100T	LP250T	LP500T	LP750T	LP1000T	LP1500T
Crosby	2789276	2789277	2789278	2789279	2789280	2789281	2789282	2789283	2789284	2789285	2789286	2789287	2789288	2789289
Capacity (te)	500 kg	1000 kg	2.5	3.5	6.5	15	25	50	100	250	500	750	1000	1500
(lb)	1,100	2,200	5,500	7,700	14,000	33,000	55,000	110,000	220,000	550,000	1,100,000	1,650,000	2,200,000	3,300,000
Resolution (te)	0.2 kg	0.5 kg	0.001	0.001	0.002	0.002	0.005	0.01	0.05	0.1	0.2	0.2	0.5	0.5
(lb)	0.5	1	2	2	5	5	10	20	100	200	500	500	1000	1000
Units (metric)	kilograms, metric tons													
(imperial)	pounds													
Weight (kg)	0.9	1	1.2	1.4	2	3.1	5.6	8.6	11.8	29.8	79.2	146	275	389
(lb)	0.4	0.5	0.9	1.3	2.6	5	10.3	18	24	64	172	319	603	854
Design Factor	3:1													
Operating Temp.	-10°C to +50°C / 14°F to 122°F													
Accuracy	±1% of full scale													
Protection	IP67 [IP68 available as an option]													
	NEMA6 [NEMA6P available on application]													
Dim. A (mm)	24	35	45	50	63	75	89	102	110	130	225	295	360	430
(in)	0.94	1.38	1.77	1.97	2.48	2.95	3.50	4.02	4.33	5.12	8.86	11.61	14.17	16.93
Dim. B (mm)	36	49	70	75	95	114	152	178	190	220	370	500	612	731
(in)	1.42	1.93	2.76	2.95	3.74	4.49	5.98	7.01	7.48	8.66	14.57	19.69	24.09	28.78
Dim. C (mm)	70	80	100	105	125	150	195	225	230	300	440	590	712	832
(in)	2.76	3.15	3.94	4.13	4.92	5.91	7.68	8.86	9.06	11.81	17.32	23.23	28.03	32.76
Dim. ØD (mm)	20	20	25	30	40	50	63	75	88	125	170	200	250	275
(in)	0.79	0.79	0.98	1.18	1.57	1.97	2.48	2.95	3.46	4.92	6.69	7.87	9.84	10.83