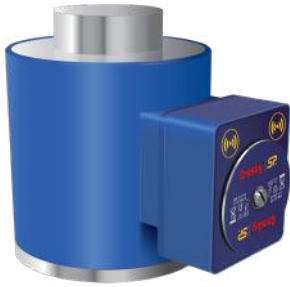
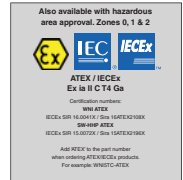
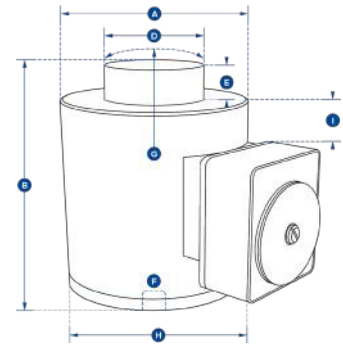


## LoadSafe



- Wireless range of 1000m or 3280ft.
- High grade 17-4PH stainless steel, providing excellent strength and corrosion resistance.
- Proprietary 2.4 GHz wireless.
- Accuracy of  $\pm 0.1\%$  FS.
- Environmentally sealed to IP67 or NEMA6.
- Stocked capacities up to 1000t.
- Industry leading wireless range up to 1000m or 3280ft.
- Internal antenna.
- ATEX & IECEx version for hazardous area zones 0, 1 & 2 available.
- Battery life of 1200 hrs.
- Compact size.
- Remote on/off from handheld display or software.
- Design validated by FEA.
- Bluetooth option is available and is supplied with a free HHP App for iOS and Android.



Part Numbers SP	WNI5TC	WNI10TC	WNI25TC	WNI50TC	WNI100TC	WNI150TC	WNI300TC	WNI500TC	WNI1000TC	
Crosby	2789197	2789191	2789193	2789196	2789190	2789192	2789194	2789195	2789138	
Capacity	(te)	5	10	25	50	100	150	300	500	1000
	(lb)	11,000	22,000	55,000	110,000	220,000	330,000	660,000	1,100,000	2,200,000
Resolution	(te)	0.001	0.002	0.005	0.01	0.05	0.05	0.1	0.2	0.5
	(lb)	2	5	10	20	100	100	200	500	1000
Units	(metric)	metric tons								
	(imperial)	pounds								
Weight	(kg)	6.2	6.2	6.2	6.2	15.5	15.5	65	65	172
	(lb)	13.64	13.64	13.64	13.64	34	34	143	143	379
Design Factor	3:1									
Battery Type	Loadcell 4 x AA Alkaline									
Battery Life	Loadcell 1200 hours continuous (500 hours if Bluetooth)									
Operating Temp.	-10°C to +50°C / 14°F to 122°F									
Accuracy	$\pm 0.1\%$ of full scale									
Frequency	2.4 GHz									
System Range (max)	1000 meters / 3280 feet (100 meters / 328 feet if Bluetooth) (500 meters / 1640 feet if ATEX/IECEx)									
Data Rate	3 Hz (configurable to 200Hz)									
Protection	IP67 / NEMA6									
Dimension ØA	(mm)	100	100	100	100	152	152	185	185	362
	(in)	3.94	3.94	3.94	3.94	5.98	5.98	7.28	7.28	14.25
Dimension B	(mm)	127	127	127	127	184	184	300	300	310
	(in)	5.00	5.00	5.00	5.00	7.24	7.24	11.81	11.81	12.20
Dimension ØD	(mm)	59	59	59	59	80	80	155	155	270
	(in)	2.32	2.32	2.32	2.32	3.15	3.15	6.10	6.10	10.63
Dimension E	(mm)	16	16	16	16	26	26	27.5	27.5	40
	(in)	0.63	0.63	0.63	0.51	1.02	1.02	1.08	1.08	1.57
Dimension F	(mm)	M18 x 2.5	M18 x 2.5	M18 x 2.5	M20 x 2.5	M20 x 2.5	M20 x 2.5	M20 x 2.5	M20 x 2.5	M30 x 3.5
	(mm)	M18 x 2.5	M18 x 2.5	M18 x 2.5	M20 x 2.5	M20 x 2.5	M20 x 2.5	M20 x 2.5	M20 x 2.5	M30 x 3.5
Dimension G	(mm)	152	152	152	152	432	432	432	432	950
	(in)	5.98	5.98	5.98	5.98	17.01	17.01	17.01	17.01	37.40
Dimension H	(mm)	158	158	158	158	208	208	241	241	422
	(in)	6.22	6.22	6.22	6.22	8.19	8.19	9.49	9.49	16.61
Dimension I	(mm)	6	6	6	6	7	7	21.5	21.5	102
	(in)	0.23	0.23	0.23	0.23	0.27	0.27	0.27	0.54	4.02
Loadcell top to SA700 top	(in)	0.23	0.23	0.23	0.23	0.27	0.27	0.27	0.54	4.02