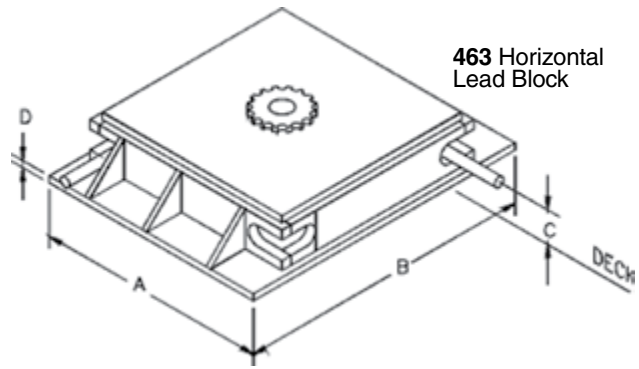


461 Vertical Lead Block



463 Horizontal Lead Block

Furnish the following important information when ordering:

- A,B and C dimensions.
- Line pull in pounds and degree of wrap.
- Line speed.
- Diameter of wire rope.
- Roller bearings, bronze bushings, or sealed double row tapered bearings.
- Guide and control your deck lines with McKissick's deck-mounted wire rope blocks. Built to your specific requirements.
- Extra heavy construction, built to withstand breaking strength of indicated rope (XIP, IWRC).
- Flame-hardened sheaves, machined grooves for proper rope size.
- For special requirements contact Crosby.

461 Vertical & 463 Horizontal Lead Blocks

Figure No.	Stock No.	Sheave Diameter (in)	Wire Rope Diameter (in)	Weight Each (lb)	Dimensions (in)			
					A	B	C	D
461-18	239753	18	7/8	500	12.00	20.00	11.00	1.50
461-24	131574	24	1-1/4	500	15.00	26.00	14.00	1.50
461-26	238120	26	1-1/2	660	16.00	28.00	15.00	1.50
461-36	148389	36	1-5/8	850	20.00	36.00	19.50	2.00
461-40	136285	40	2	2006	23.00	42.00	22.50	2.00
461-42	130753	42	2-1/2	4000	28.00	52.00	25.50	2.50
463-26	4440359	26	1	988	33.00	33.00	3.75	1.50
463-30	1404377	30	1-1/4	1225	37.00	37.00	3.50	1.50
463-36	146522	36	1-1/2	1900	43.00	43.00	3.50	1.50
463-42	1406525	42	1-3/4	2975	50.00	50.00	4.38	2.00
463-48	131583	48	2	3600	55.00	55.00	4.63	2.00
463-60	123164	60	2-1/2	6400	68.00	68.00	5.75	2.00

For custom orders contact our Block Hotline, (1-800-727-1555).