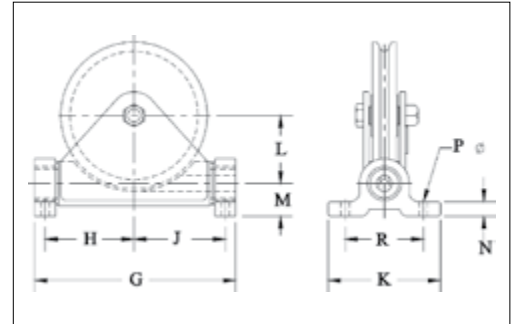




G-602S

Flag Blocks

- Base plates are drilled.
- Available painted or galvanized.
- Fitted with steel sheaves.
- Self-lubricated Bronze Bushed.



S-602S / G-602S Flag Blocks

Sheave Diameter (in)	602 Series Stock No.		Resultant Working Load Limit (shortTons)	Wire Rope Diameter (in)	Weight Each (lb)	Dimensions (in)								
	S-602-S Painted	G-602-S Galv.				G	H	J	K	L	M	N	P	R
6	772391	772408	2	3/8	17.00	9.00	3.75	3.88	6.25	2.88	1.62	.75	.56	4.75
8	1420885	772426	2.5	1/2	31.50	11.38	4.75	5.12	7.00	3.62	2.00	1.00	.69	5.50
10	772435	772444	3	5/8	42.00	13.38	5.69	6.06	7.00	4.62	2.00	1.00	.69	5.50
12	772453	772462	4	3/4	115.00	17.25	7.25	7.75	10.75	5.38	3.12	1.38	.81	7.50
14	772471	-	5	7/8	136.50	19.25	8.50	8.75	10.75	6.50	3.12	1.38	.81	7.50

4:1 Design Factor.

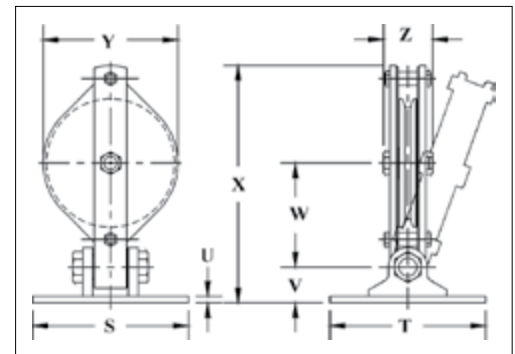
APPLICATION AND WARNING INFORMATION SECTION 17



S-603S

Hinged Lead Blocks

- Base plates are not drilled.
- Available painted or galvanized.
- Self-lubricated Bronze Bearings.



S-603S / G-603S Hinged Lead Blocks

Sheave Diameter (in)	603 Series Stock No.		Resultant Working Load Limit (shortTons)	Wire Rope Diameter (in)	Weight Each (lb)	Dimensions (in)							
	S-603-S Painted	G-603-S Galv.				S	T	U	V	W	X	Y	Z
6	772596	772603	2	3/8	30.00	6.00	4.50	.50	2.00	5.81	12.80	6.75	3.25
8	772612	772621	2.5	1/2	34.00	8.00	6.75	.38	2.62	6.56	15.48	9.00	3.75
10	772630	772649	3	5/8	45.00	12.00	12.00	.50	2.75	8.00	18.25	10.75	4.38
12	772658	772667	4	3/4	75.00	12.00	12.00	.50	2.75	9.50	18.63	13.00	4.58
14	772676	772685	5	7/8	100.00	12.00	12.00	.50	2.75	10.75	20.63	15.00	4.81

4:1 Design Factor.

15