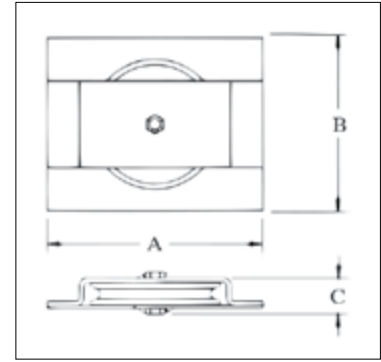




S-600S

Horizontal Lead Blocks

- Available painted or galvanized.
- Fitted with steel sheaves.
- Self-lubricated Bronze Bushed.



S-600S / G-600S

| Sheave Diameter (in) | 600 Series Stock No. | | Resultant Working Load Limit (Short Tons) | Wire Rope Diameter (in) | Weight Each (lb) | Dimensions (in) | | |
|----------------------|----------------------|---------------|---|-------------------------|------------------|-----------------|-------|------|
| | S-600-S Painted | G-600-S Galv. | | | | A | B | C |
| 6 | 771999 | 772006 | 2 | 3/8 | 10 | 11.00 | 6.38 | 2.50 |
| 8 | 772015 | 772024 | 2.5 | 1/2 | 21 | 13.00 | 8.50 | 3.00 |
| 10 | 772033 | 772042 | 3 | 5/8 | 36 | 15.00 | 10.50 | 3.25 |
| 12 | 772051 | 772060 | 4 | 3/4 | 61 | 17.00 | 12.50 | 4.00 |
| 14 | 772079 | 772088 | 5 | 7/8 | 96 | 19.00 | 14.50 | 4.00 |

4:1 Design Factor

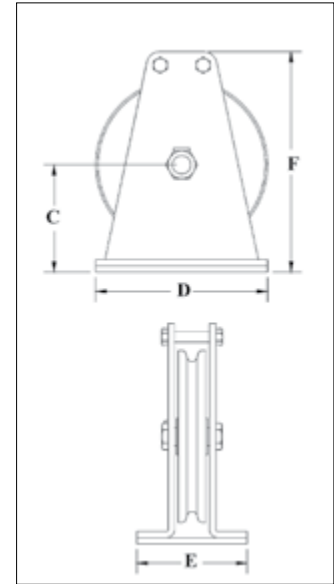
APPLICATION AND WARNING INFORMATION
SECTION 17



G-601S

Vertical Lead Blocks

- Available painted or galvanized.
- Fitted with steel sheaves.
- Self-lubricated Bronze Bushed.



S-601S / G-601S

| Sheave Diameter (in) | 601 Series Stock No. | | Resultant Working Load Limit (short Tons) | Wire Rope Diameter (in) | Weight Each (lb) | Dimensions (in) | | | |
|----------------------|----------------------|---------------|---|-------------------------|------------------|-----------------|-------|------|-------|
| | S-601-S Painted | G-601-S Galv. | | | | C | D | E | F |
| 6 | 772195 | 772202 | 2 | 3/8 | 10.00 | 3.50 | 6.00 | 5.50 | 7.00 |
| 8 | 772211 | 772220 | 2.5 | 1/2 | 25 | 4.88 | 8.00 | 6.75 | 9.75 |
| 10 | 772239 | 772248 | 3 | 5/8 | 31.50 | 6.38 | 10.00 | 7.75 | 11.75 |
| 12 | 772257 | 772266 | 4 | 3/4 | 60.00 | 7.25 | 12.00 | 6.00 | 15.25 |
| 14 | 2003424 | 2003425 | 5 | 7/8 | 98.00 | 8.75 | 14.00 | 9.00 | 18.00 |

4:1 Design Factor.