

SNATCH BLOCK, TAIL BOARD, SINGLE SHEAVE, 15-60t

Fatigue Resistant



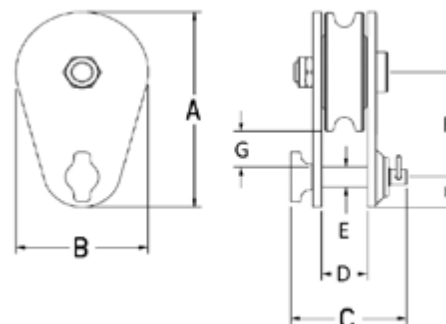
406



407



401



- Opening feature permits easy insertion of rope without reeving. Bolt for opening feature is retained, to ensure no lost bolts.
- Can be furnished with bronze bushings or roller bearings.
- Center pin equipped with pressure lube fitting.
- All sizes feature sheave grooves suited for a range of wireline diameters.
- Meets or exceeds all requirements of ASME B30.26. Importantly, these blocks meet other critical performance requirements including fatigue life and material traceability, not addressed by ASME B30.26.
- Visit thecrosbygroup.com/engineeredolutions for more information.



APPLICATION AND WARNING INFORMATION SECTION 17

Working Load Limit (t)	Wire Rope Diameter (in)	Sheave Diameter (in)	Bearing Code	Weight Each (lb)	Model No.	Stock No.	Dimensions (in)							
							A	B	C	D	E	F	G	H
15 metric tons														
15	3/4 - 7/8	8	BB	30	406	108311	13.19	8.12	5.13	2.35	1.25	6.75	2.13	2.38
15	3/4 - 7/8	8	RB	30	406	108312	13.19	8.12	5.13	2.35	1.25	6.75	2.13	2.38
15	3/4 - 7/8	10	BB	42	406	108406	14.94	10.12	5.13	2.35	1.25	7.50	1.94	2.38
15	3/4 - 7/8	10	RB	42	406	108407	14.94	10.12	5.13	2.35	1.25	7.50	1.94	2.38
20 metric tons														
20	1 - 1-1/8	8	BB	42	407	103523	13.56	8.12	6.00	2.55	1.50	7.12	2.37	2.38
20	1 - 1-1/8	8	RB	42	407	103541	13.56	8.12	6.00	2.55	1.50	7.12	2.37	2.38
20	1 - 1-1/8	10	BB	55	407	103603	15.63	10.12	6.00	2.55	1.50	8.19	2.44	2.38
20	1 - 1-1/8	10	RB	55	407	103621	15.63	10.12	6.00	2.55	1.50	8.19	2.44	2.38
20	1 - 1-1/8	12	BB	70	407	103685	17.75	12.25	6.00	2.55	1.50	9.25	2.56	2.38
20	1 - 1-1/8	12	RB	70	407	103701	17.75	12.25	6.00	2.55	1.50	9.25	2.56	2.38
20	1 - 1-1/8	14	BB	90	407	103765	20.10	14.00	6.00	2.55	1.50	10.72	2.97	2.38
20	1 - 1-1/8	14	RB	90	407	103783	20.10	14.00	6.00	2.55	1.50	10.72	2.97	2.38
25 metric tons														
25	1 - 1-1/4	8	BB	50	401	178151	13.49	8.25	6.13	2.55	1.50	7.12	2.37	2.25
25	1 - 1-1/4	10	BB	65	401	179167	15.43	10.25	6.13	2.55	1.50	8.19	2.44	2.12
25	1 - 1-1/4	18	BB	165	407	119652	24.62	18.25	7.12	3.05	1.75	13.00	3.13	2.5
25	1 - 1-1/4	18	RB	165	407	119653	24.62	18.25	7.12	3.05	1.75	13.00	3.13	2.5
30 metric tons														
30	1 - 1-1/4	12	BB	95	401	179178	18.62	12.25	7.00	3.05	1.75	10.00	3.13	2.5
30	1 - 1-1/4	14	BB	110	401	179187	20.88	14.25	7.00	3.05	1.75	11.25	3.38	2.5
30	1 - 1-1/4	20	BB	215	407	119669	28.88	20.25	8.31	3.55	2.25	15.25	4.13	3.5
30	1 - 1-1/4	20	RB	215	407	119678	28.88	20.25	8.31	3.55	2.25	15.25	4.13	3.5
30	1 - 1-1/4	24	BB	290	407	119687	32.50	24.25	8.31	3.55	2.25	16.88	3.76	3.5
30	1 - 1-1/4	24	RB	290	407	119696	32.50	24.25	8.31	3.55	2.25	16.88	3.76	3.5
60 metric tons														
60	1 - 1-1/4	12	BB	95	401	8027292	20.32	12.12	8.66	2.78	2.50	10.75	3.50	3.5

4:1 Design Factor.

15