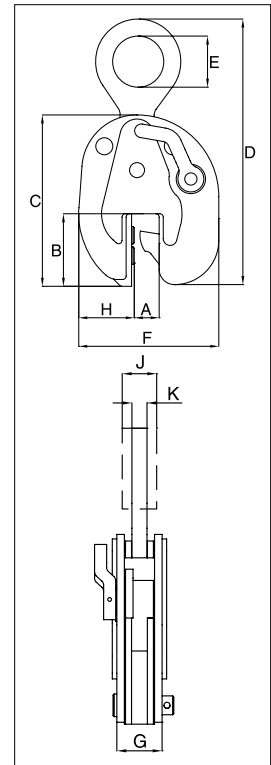


IPSBUUZ



**For Lifting, Transferring and Placing Complete Shipsections**

- Available in capacities of 4.5 through 22.50 metric tons (higher Working Load Limits are available upon request).
- Wide variety of jaw openings available: HP 4" to HP 17".
- Welded alloy steel body for strength and smaller size. Forged alloy components, where required.
- Individually Proof Tested to 2 times the Working Load Limit with certification.
- Company name (Crosby IP), logo, Working Load Limit and jaw opening permanently stamped on body.
- Each product is individually serialized, with the serial number and Proof Load test date stamped on body. User manual with test certificate is included with each clamp.
- Maintenance and repair kits are available.



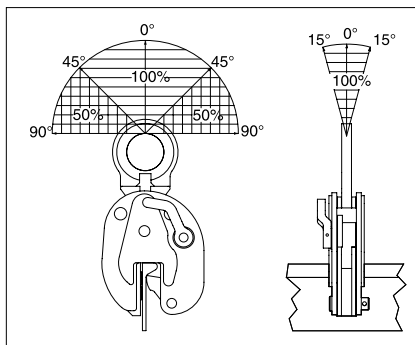
**Model IPSBUUZ / IPSBUSUZ: With Universal Hoisting Eye**  
**Model IPSBUZ / IPSBUSZ: With Fixed Hoisting Eye**

Load Tested

Model	Working Load Limit (t)*	Stock No.	Weight Each (lb)	Dimensions (in)									
				Profile A†	B	C	D	E	F	G	H	J	K
IPSBUUZ	4.5	2705771	34.2	HP 4.00 - 6.25	4.21	9.92	17.72	2.95	8.11	3.78	3.23	1.42	0.79
IPSBUUZ	9	2705773	94.8	HP 4.00 - 6.25	4.13	10.79	19.33	3.15	9.76	4.84	4.09	1.73	0.79
IPSBUSUZ	4.5	2705772	83.8	HP 7.13 - 17.00	8.94	16.85	25.00	2.95	14.84	3.74	5.04	-	0.79
IPSBUSUZ	9	2705774	152	HP 7.13 - 17.00	8.94	18.82	28.27	3.15	16.73	4.65	6.10	1.73	0.98

Design Factor based on EN 13155 and ASME B30.20. † Profile A is the type of Holland Bulb (HP) style and size material.

IPSBUZ



IPSBUUZ

