

IPBCF / IPBCNS



For the lifting and transfer of wide flange beam sections and plate girders

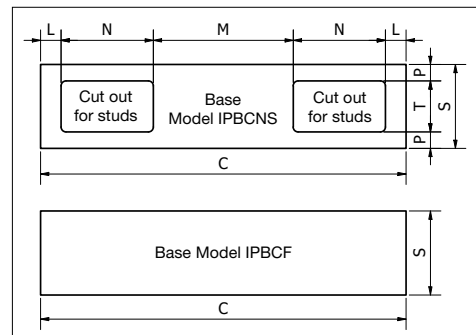
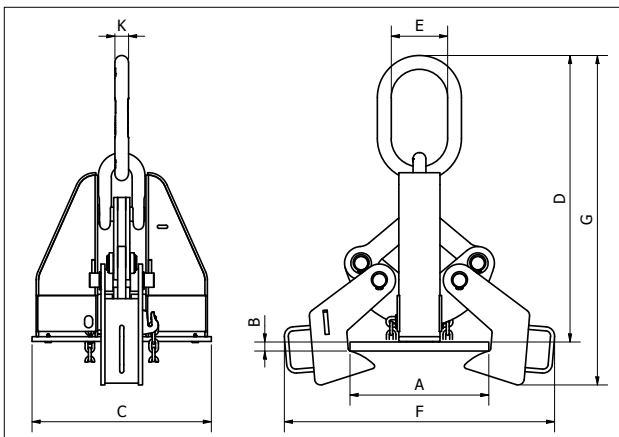
- When lifting, these beam clamps grip the beam at three points, and when properly balanced and safely guided, the beam can be handled even if the clamp is slightly off center lengthwise.
- Capacities: 4.5 through 32 metric tons. (higher Working Load Limits are available upon request).
- Eliminates the need for slings, chokers, and spreader bars.
- When applied to load, the tongs automatically open and slide under the flange of the beam.
- Center plate and gripping tongs work together - the heavier the beam, the greater the clamping pressure.
- Model IPBCNS clamps have a recessed base to accept studs welded to the beam surface.
- Welded alloy steel body for strength and smaller size. Forged alloy components, where required.
- Individually Proof Tested to 2 times the Working Load Limit with certification.
- Company name (Crosby IP), logo, Working Load Limit and jaw opening permanently stamped on body.
- Each product is individually serialized, with the serial number and Proof Load test date stamped on body. User manual with test certificate is included with each clamp.
- Maintenance and repair kits are available.
- Manufactured by an ISO 9001 facility.
- All sizes are RFID equipped.

Beam Clamps

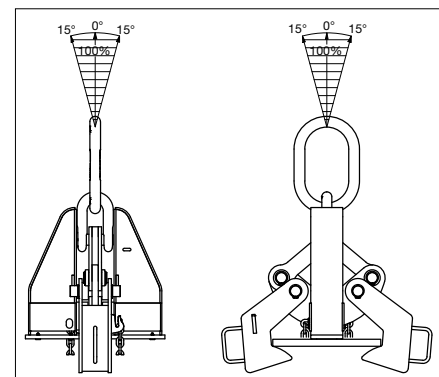
Model No.	WLL (t)	Stock No.	Weight Each (lb)	Flange Grip Range (in)		Dimensions (in)					
				Width (A)	Thickness (B)	C	D	E	F	G	K
IPBCF	4.5	2702000	64.9	4 - 10	0.5 - 1	13.7	21.1 - 17.8	3.75	13.3 - 18.7	23.7 - 20.9	0.84
IPBCNS	13.5	2702018	137	7 - 17	0.5 - 2	17.5	30.5 - 23.3	5.5	19.9 - 29.5	35.2 - 28.3	1.33
IPBCNS	22.5	2702036	291	16 - 24	1 - 3	23.5	39.8 - 32.0	6	30.5 - 38.1	44.9 - 38.7	1.75
IPBCNS	32	2702054	529	16 - 36	1.63 - 4	28.7	46.8 - 40.3	7	31.2 - 53.1	57.4 - 49.5	2.00

Design factor based on EN 13155 and ASME B30.20.

NOTE: Control the beam at all times. Beams should be gripped as near the center as possible. Snubbing lines at each end must be used to control excessive twisting or swinging, and to guide the beam to its proper place. Each lifting situation may have a specific demand which should be addressed before lifting.



Base Stock No.	Base Dimensions (in)						
	C	L	M	N	P	S	T
IPBCNS	13.7	-	-	-	-	3.00	-
IPBCNS	17.5	1.00	6.70	4.40	0.78	4.00	2.44
IPBCNS	23.5	1.30	7.48	6.70	1.19	6.00	3.62
IPBCNS	28.7	1.90	8.90	8.00	1.19	6.00	3.62



12