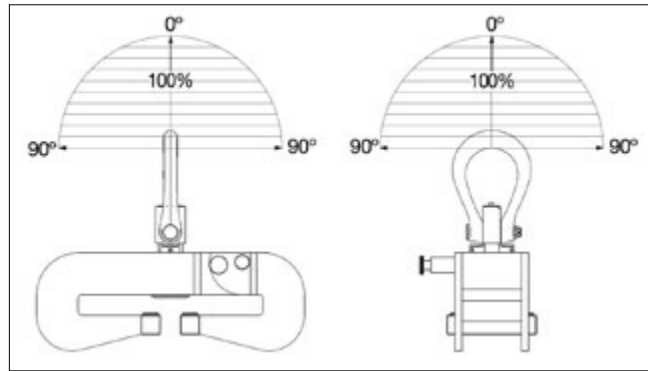
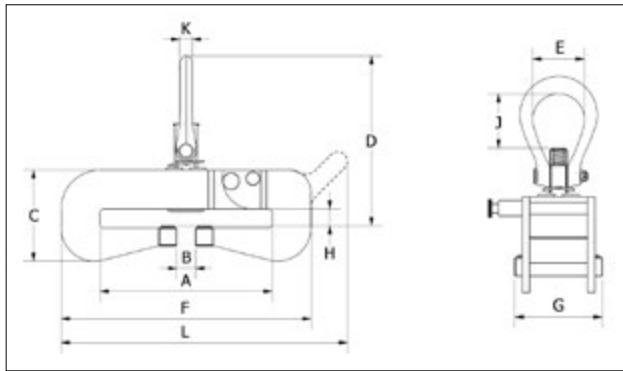


IPTKA



- Maintains full WLL at angles up to 90°.
- Bail swivels 360° and pivots 180°.
- Easy to close and open with a hinged body with self-locking device.
- Easy to handle with handgrips.
- No interference or space limitations when tightening the clamp.
- Multi-purpose hoisting eye to be used for tightening as well as for hoisting.
- Light weight design.
- All parts are replaceable.
- Maintenance and repair kits are available.
- Can be used for a wide range of profile sizes.



IPTKA Universal Beam Clamp

Load Rating

Model	WLL (t)	Stock No.	Weight (lb)	Dimensions (in)										
				A	B	C	D	E	F	G	H	J	K	L
IPTKA	3	2707111	35	3.9 - 8.1	1.34	5.87	12.09	3.5	12.2	5.12	0.24 - 1	3.7	0.87	14.53
IPTKAJ1	3	2707116	31.3	2.8 - 4.9	0.94	5.28	11.69	3.5	10.12	5.12	0.24 - 1	3.7	0.87	12.4
IPTKAJ2	3	2707117	35.3	3.9 - 8.1	2.13	6.46	12.68	3.5	12.2	5.12	0.8 - 1.57	3.7	0.87	14.53
IPTKA	5	2707065	51.4	3.9 - 12	1.34	6.46	12.05	3.5	17.72	5.91	0.24 - 1	3.7	0.87	-
IPTKAJ1	5	2707114	37.3	2.8 - 4.9	0.94	5.47	11.65	3.5	10.51	5.91	0.24 - 1	3.7	0.87	13.23
IPTKAJ2	5	2707115	51.2	5.1 - 12	2.91	7.05	12.64	3.5	17.72	5.91	0.8 - 1.57	3.7	0.87	-
IPTKA	10	2707118	137	5.5 - 16	2.91	9.21	17.72	4.76	23.6	8.66	0.47 - 1.65	6.0	1.18	-
IPTKA	15	2707124	157	5.5 - 16	2.91	9.61	17.72	4.76	24.8	8.66	0.47 - 1.65	6.0	1.18	-

