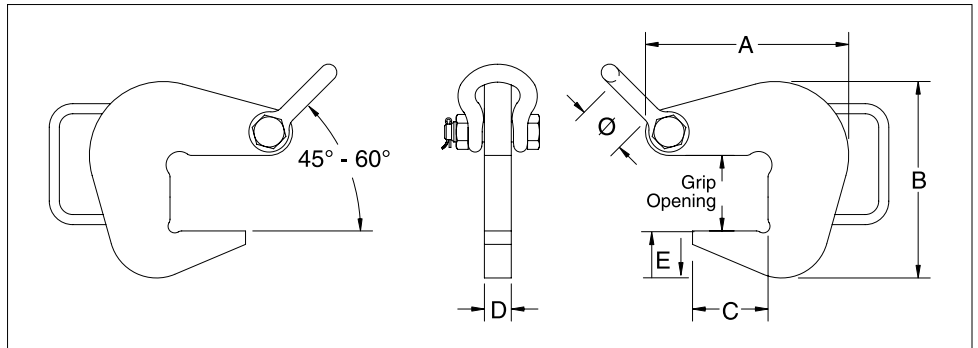


IPPH



- Crosby IP Pipe Hooks provide a fast and efficient method for lifting pipe, tube or any similarly shaped fabrications.
- Alloy steel plate construction.
- Equipped with a convenient handle.
- Equipped with a Bolt Type Shackle.
- Optional non marring inserts available.
- Used in pairs with 45° - 60° horizontal angle or 60° - 90° included angle.



Pipe Hook

Model	Working Load Limit Per Pair (t)**	Stock No.	Weight Each (lb)	Grip Opening (in)	Dimensions (in)						Shackle Size (in)	Nylon (PA6) Inserts*
					A	B	C	D	E	Ø		
IPPH-2	2	2734500	5.94	2.06	5.81	5.06	2.06	1.00	1.25	1.69	5/8	2734900 2734909
IPPH-4	4	2734509	10.03	2.81	7.56	7.31	2.81	1.00	1.75	1.69	5/8	2734918
IPPH-6	6	2734518	17.74	4.06	10.18	10.06	4.06	1.00	2.25	2.00	3/4	2734927
IPPH-10	10	2734527	38.67	6.06	14.81	15.06	6.06	1.00	3.50	2.69	1.0	2734936

**Design factor based on EN13155 and ASME B30.20.

NOTE: To determine grip opening when equipped with an insert, add the insert thickness shown in the Pipe Hook Insert table below.

IPPHI



- Replaceable nylon (PA6) inserts for use with the CCPH Pipe Hook that minimizes thread and pipe damage.

Pipe Hook Inserts

Model	Stock No.	ID of Pipe (in)	Grip Opening (in)
IPPHI	2734900	3-12	1.61
	2734909	12-18	1.73
	2734918	18-30	2.48
	2734927	30-42	3.74
	2734936	42-72	5.71

