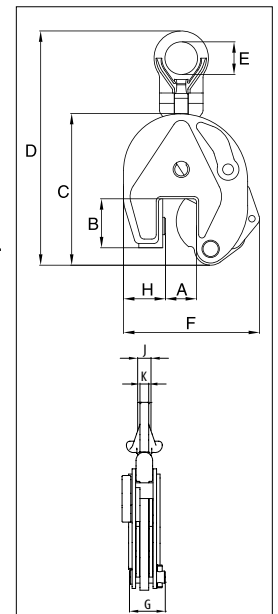


IPU10A



For vertical transport of plates

- Available in capacities of 1, 2 and 6 metric tons (higher Working Load Limits are available upon request).
- Jaw openings available: 0" to 2".
- Welded alloy steel body for strength and smaller size. Forged alloy components where required.
- Individually Proof Tested to 2 times the Working Load Limit with certification.
- Company name (Crosby IP), logo, Working Load Limit and jaw opening permanently stamped on body.
- Each product is individually serialized, with the serial number and Proof Load test date stamped on body. User manual with test certificate is included with each clamp.
- Full 180° turning range for material transfer, turning or moving.
- Lock open, lock closed ability with latch for pretension on material and then release of material.
- Minimum WLL of 10% of Maximum WLL.
- Maintenance and repair kits are available.
- For use with materials with a plate surface hardness to 279HV10, only 5% of minimum WLL is needed.

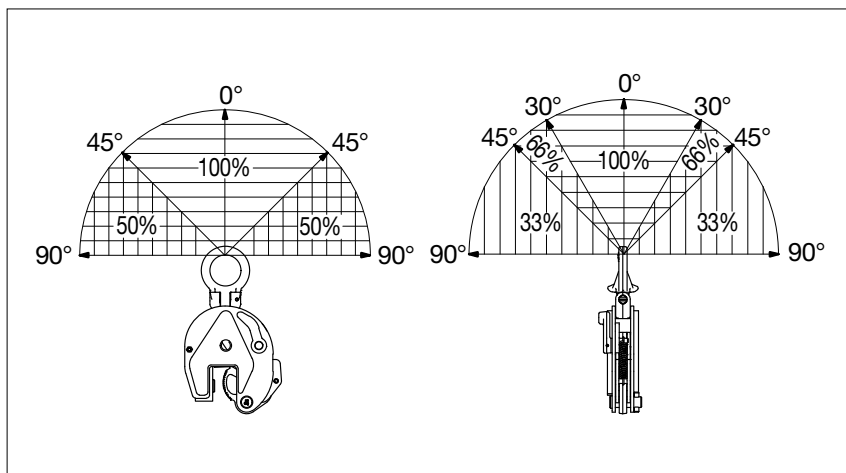


Load Rated

Model IPU10A

Model	Working Load Limit (t)*	Stock No.	Weight Each (lb)	Dimensions (in)									
				Jaw A	B	C	D	E	F	G	H	J	K
IPU10A	1	2701628	5.07	0 - 0.81	1.77	5.47	8.86	1.57	5.00	1.65	1.50	-	0.43
IPU10A	2	2701629	18.5	0 - 1.38	3.07	7.91	14.49	2.76	7.40	2.52	2.17	-	0.63
IPU10A	6	2701638	56.0	0 - 2.00	4.96	11.89	20.67	3.15	11.50	3.31	3.74	1.73	0.79

* Design Factor based on EN 13155 and ASME B30.20.



12