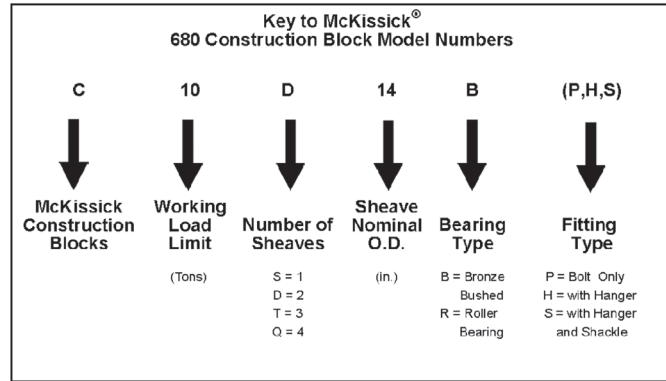


680 Series Construction Blocks



680 BLOCKS – "P" FITTING



Sheave Diameter (in.)	WireLine Size (in.)											
	3/8	7/16	1/2	9/16	5/8	3/4	7/8	1	1-1/8	1-1/4		
6												
8												
10												
12												
14												
16												
18												
20												
24												

680 Blocks – "P" Fitting – Blocks with Bolt Only

Model No.	680-P Inquiry Stock No.	Working Load Limit (Tons)	No. of Sheaves	Sheave Diam. (in.)	Dimensions (in.)											Weight Each (lb)	
					A	B	C	D	E	F	G	H	I	J	K		X
5 Tons																	
C5S6BP	2101000	5	1	6	12.12	1.62	1.78	-	2.28	6.12	-	-	-	2.00	1.25	-	19
C5S8BP	2101002	5	1	8	14.00	1.62	1.78	-	2.28	8.12	-	-	-	2.00	1.25	-	31
C5D6BP	2101010	5	2	6	14.75	1.62	3.81	1.06	4.31	6.12	.63	.69	.84	1.79	1.25	2.03	33
C5D8BP	2101012	5	2	8	16.62	1.62	3.81	1.06	4.31	8.12	.63	.69	.84	1.79	1.25	2.03	54
C5T6BP	2101020	5	3	6	14.75	1.62	5.84	1.06	6.34	6.12	.63	.69	.84	1.79	1.25	2.03	45
C5T8BP	2101022	5	3	8	16.62	1.62	5.84	1.06	6.34	8.12	.63	.69	.84	1.79	1.25	2.03	75
7.5 Tons																	
C7S6BP	2101050	7.5	1	6	12.12	1.62	1.78	-	2.28	6.12	-	-	-	2.00	1.25	-	19
C7S8BP	2101052	7.5	1	8	14.00	1.62	1.78	-	2.28	8.12	-	-	-	2.00	1.25	-	31
C7D6BP	2101060	7.5	2	6	14.75	1.62	3.81	.62	4.31	6.12	.63	.69	.84	1.79	1.25	2.03	33
C7D8BP	2101062	7.5	2	8	16.62	1.62	3.81	.62	4.31	8.12	.63	.69	.84	1.79	1.25	2.03	54
C7T6BP	2101070	7.5	3	6	14.75	1.62	5.84	.62	6.34	6.12	.63	.69	.84	1.79	1.25	2.03	45
C7T8BP	2101072	7.5	3	8	16.62	1.62	5.84	.62	6.34	8.12	.63	.69	.84	1.79	1.25	2.03	75
10 Tons																	
C10S8BP	2101100	10	1	8	15.12	2.12	1.78	-	2.28	8.12	-	-	-	2.38	1.50	-	34
C10S10BP	2101102	10	1	10	17.12	2.12	1.78	-	2.28	10.12	-	-	-	2.38	1.50	-	47
C10S12BP	2101104	10	1	12	19.00	2.12	1.78	-	2.28	12.12	-	-	-	2.38	1.50	-	57
C10S14BP	2101106	10	1	14	21.12	2.12	1.78	-	2.28	14.12	-	-	-	2.38	1.50	-	64
C10D6BP	2101110	10	2	6	15.69	2.12	3.81	.88	4.31	6.12	.63	.69	.84	2.12	1.50	2.03	41
C10D8BP	2101112	10	2	8	17.44	2.12	3.81	.88	4.31	8.12	.63	.69	.84	2.12	1.50	2.03	58
C10D10BP	2101114	10	2	10	19.44	2.12	3.81	.88	4.31	10.12	.63	.69	.84	2.12	1.50	2.03	82
C10D12BP	2101116	10	2	12	21.31	2.12	3.81	.88	4.31	12.12	.63	.69	.84	2.12	1.50	2.03	99
C10D14BP	2101118	10	2	14	23.44	2.12	3.81	.88	4.31	14.12	.63	.69	.84	2.12	1.50	2.03	114
C10T8BP	2101120	10	3	8	17.44	2.12	5.84	.88	6.34	8.12	.63	.69	.84	2.12	1.50	2.03	81
C10T10BP	2101122	10	3	10	19.44	2.12	5.84	.88	6.34	10.12	.63	.69	.84	2.12	1.50	2.03	115
C10T12BP	2101124	10	3	12	21.31	2.12	5.84	.88	6.34	12.12	.63	.69	.84	2.12	1.50	2.03	138
C10T14BP	2101126	10	3	14	23.44	2.12	5.84	.88	6.34	14.12	.63	.69	.84	2.12	1.50	2.03	162
C10Q8BP	2101130	10	4	8	17.44	2.12	7.87	.88	8.37	8.12	.63	.69	.84	2.12	1.50	2.03	103
C10Q10B	2101132	10	4	10	19.44	2.12	7.87	.88	8.37	10.12	.63	.69	.84	2.12	1.50	2.03	149
15 Tons																	
C15S10B	2101170	15	1	10	19.19	2.88	2.04	-	3.04	10.12	-	-	-	3.12	2.00	-	76
C15S12BP	2101172	15	1	12	21.06	2.88	2.04	-	3.04	12.12	-	-	-	3.12	2.00	-	92
C15S14SP	2101174	15	1	14	23.06	2.88	2.04	-	3.04	14.12	-	-	-	3.12	2.00	-	111
C15D10BP	2101180	15	2	10	22.19	2.88	4.34	1.25	5.34	10.12	.75	.81	1.00	2.82	2.00	2.30	115
C15D12BP	2101182	15	2	12	24.06	2.88	4.34	1.25	5.34	12.12	.75	.81	1.00	2.82	2.00	2.30	138
C15D14BP	2101184	15	2	14	26.06	2.88	4.34	1.25	5.34	14.12	.75	.81	1.00	2.82	2.00	2.30	168
C15T8BP	2101190	15	3	8	20.19	2.88	6.64	1.25	7.64	8.12	.75	.81	1.00	2.82	2.00	2.30	105
C15T10BP	2101192	15	3	10	22.19	2.88	6.64	1.25	7.64	10.12	.75	.81	1.00	2.82	2.00	2.30	152
C15T12BP	2101194	15	3	12	24.06	2.88	6.64	1.25	7.64	12.12	.75	.81	1.00	2.82	2.00	2.30	182
C15T14BP	2101196	15	3	14	26.06	2.88	6.64	1.25	7.64	14.12	.75	.81	1.00	2.82	2.00	2.30	214
C15Q10BP	2101200	15	4	10	22.19	2.88	8.94	1.25	9.94	10.12	.75	.81	1.00	2.82	2.00	2.30	209
20 Tons																	
C20S18BP	2101244	20	1	18	27.88	3	2.54	.75	4.04	18.12	-	-	-	3.12	2.00	-	203
C20D12BP	2101250	20	2	12	27.69	3	4.34	.75	5.84	12.12	.88	.97	1.14	2.82	2.00	2.30	166
C20D14BP	2101252	20	2	14	28.5	3	4.34	.75	5.84	14.12	.88	.97	1.14	2.82	2.00	2.30	199



All sizes are RFID EQUIPPED.

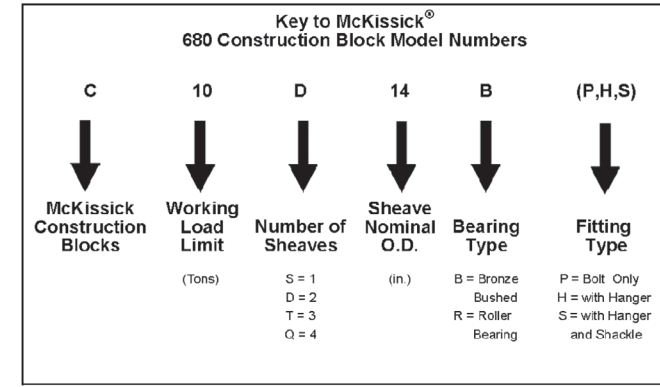
680 Blocks – "P" Fitting – Blocks with Bolt Only

Model No.	680-P Inquiry Stock No.	Working Load Limit (Tons)	No. of Sheaves	Sheave Diam. (in.)	Dimensions (in.)											Weight Each (lb)	
					A	B	C	D	E	F	G	H	I	J	K		X
C20D16BP	2101254	20	2	16	30.75	3	4.34	.75	5.84	16.12	.88	.97	1.14	2.82	2.00	2.30	239
C20T10BP	2101260	20	3	10	24.75	3	6.64	.75	8.14	10.12	.88	.97	1.14	2.82	2.00	2.30	178
C20T12BP	2101262	20	3	12	26.69	3	6.64	.75	8.14	12.12	.88	.97	1.14	2.82	2.00	2.30	207
C20T14BP	2101264	20	3	14	28.5	3	6.64	.75	8.14	14.12	.88	.97	1.14	2.82	2.00	2.30	255
C20T16BP	2101266	20	3	16	30.75	3.00	6.64	.75	8.14	16.12	.88	.97	1.14	2.82	2.00	2.30	309
C20Q8BP	2101270	20	4	8	22.56	3.00	8.94	.75	10.44	8.12	.88	.97	1.14	2.82	2.00	2.30	171
C20Q10BP	2101272	20	4	10	24.75	3.00	8.94	.75	10.44	10.12	.88	.97	1.14	2.82	2.00	2.30	219
C20Q12BP	2101274	20	4	12	26.69	3.00	8.94	.75	10.44	12.12	.88	.97	1.14	2.82	2.00	2.30	262
C20Q14BP	2101276	20	4	14	28.50	3.00	8.94	.75	10.44	14.12	.88	.97	1.14	2.82	2.00	2.30	312
25 Tons																	
C25S18BP	2101314	25	1	18	27.88	3.00	2.54	.50	4.04	18.12	-	-	-	3.12	2.00	-	203
C25D12BP	2101320	25	2	12	27.69	3.00	4.34	.50	5.84	12.12	.88	.97	1.14	2.82	2.00	2.30	167
C25D14BP	2101322	25	2	14	28.50	3.00	4.34	.50	5.84	14.12	.88	.97	1.14	2.82	2.00	2.30	198
C25D16BP	2101324	25	2	16	30.75	3.00	4.34	.50	5.84	16.12	.88	.97	1.14	2.82	2.00	2.30	239
C25T10BP	2101330	25	3	10	24.75	3.00	6.64	.50	8.14	10.12	.88	.97	1.14	2.82	2.00	2.30	178
C25T12BP	2101332	25	3	12	26.69	3.00	6.64	.50	8.14	12.12	.88	.97	1.14	2.82	2.00	2.30	207
C25T14BP	2101334	25	3	14	28.50	3.00	6.64	.50	8.14	14.12	.88	.97	1.14	2.82	2.00	2.30	253
C25T16BP	2101336	25	3	16	30.75	3.00	6.64	.50	8.14	16.12	.88	.97	1.14	2.82	2.00	2.30	309
C25Q8BP	2101340	25	4	8	22.56	3.00	8.94	.50	10.44	8.12	.88	.97	1.14	2.82	2.00	2.30	168
C25Q10BP	2101342	25	4	10	24.75	3.00	8.94	.50	10.44	10.12	.88	.97	1.14	2.82	2.00	2.30	222
C25Q12BP	2101344	25	4	12	26.69	3.00	8.94	.50	10.44	12.12	.88	.97	1.14	2.82	2.00	2.30	262
C25Q14BP	2101346	25	4	14	28.50	3.00	8.94	.50	10.44	14.12	.88	.97	1.14	2.82	2.00	2.30	312
30 Tons																	
C30D12BP	2101390	30	2	12	30.12	4.25	5.34	2.06	6.84	12.12	1.00	1.06	1.34	4.20	3.00	2.80	190
C30D14BP	2101392	30	2	14	32.00	4.25	5.34	2.06	6.84	14.12	1.00	1.06	1.34	4.20	3.00	2.80	226
C30D16BP	2101394	30	2	16	34.38	4.25	5.34	2.06	6.84	16.12	1.00	1.06	1.34	4.20	3.00	2.80	267
C30D18BP	2101396	30	2	18	36.12	4.25	5.34	2.06	6.84	18.12	1.00	1.06	1.34	4.20	3.00	2.80	344
C3																	

680 BLOCKS – "H" FITTING

680 Blocks – "P" Fitting – Blocks with Bolt Only

Table with columns: Model No., 680-P Inquiry Stock No., Working Load Limit (Tons), No. of Sheaves, Sheave Diam. (in.), Dimensions (in) [A-X], Weight Each (lb). Includes sub-sections for 50 Tons, 55 Tons, 60 Tons, 65 Tons, 70 Tons, 80 Tons, 90 Tons, and 100 Tons.



Compatibility matrix table with Sheave Diameter (in.) on the y-axis (6-24) and WireLine Size (in.) on the x-axis (3/8-1-1/4). Shows compatible pairings with shaded cells.

680 Blocks – "H" Fitting – Blocks with Hanger

Table with columns: Model No., 680-H Inquiry Stock No., Working Load Limit (Tons), No. of Sheaves, Sheave Diam. (in.), Dimensions (in) [A-X], Weight Each (lb). Includes sub-sections for 5 Tons, 7.5 Tons, 10 Tons, 15 Tons, and 20 Tons.



All sizes are RFID EQUIPPED.

680 Blocks –“H” Fitting – Blocks with Hanger

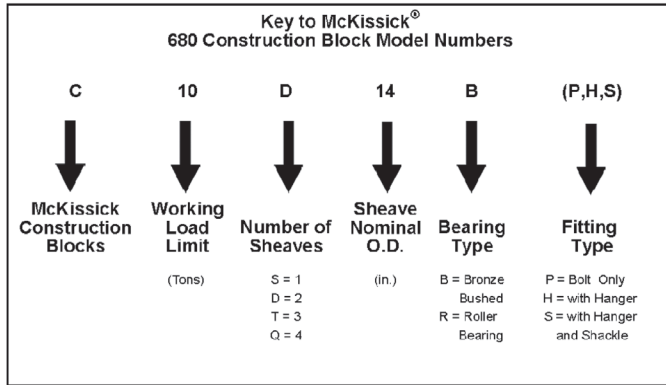
Table with columns: Model No., 680-H Inquiry Stock No., Working Load Limit (Tons), No. of Sheaves, Sheave Diam. (in), Dimensions (in) [A, E, F, G, H, I, L, M, N, O, P, Q, X], Weight Each (lb). Rows include models like C20D14BH, C25D18BH, C30D12BH, C35D14BH, C40D18BH, C45D18BH.

680 Blocks –“H” Fitting – Blocks with Hanger

Table with columns: Model No., 680-H Inquiry Stock No., Working Load Limit (Tons), No. of Sheaves, Sheave Diam. (in), Dimensions (in) [A, E, F, G, H, I, L, M, N, O, P, Q, X], Weight Each (lb). Rows include models like C45Q16BH, C50D20BH, C55D20BH, C60T18BH, C65T18BH, C70T20BH, C80T20BH, C90Q20BH, C100QN20BH.



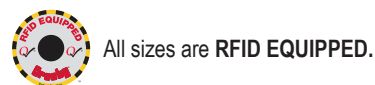
680 BLOCKS – "S" FITTING



Sheave Diameter (in.)	WireLine Size (in.)											
	3/8	7/16	1/2	9/16	5/8	3/4	7/8	1	1-1/8	1-1/4		
6												
8												
10												
12												
14												
16												
18												
20												
24												

680 Blocks – "S" Fitting – Blocks with Hanger and Shackle

Model No.	680-S Inquiry Stock No.	Working Load Limit (Tons)	No. of Sheaves	Sheave Diam. (in)	Dimensions (in)													Weight Each (lb)
					A	E	F	G	H	I	S	T	U	V	W	X		
5 Tons																		
C5S6BS	2103000	5	1	6	18.56	2.28	6.12	--	--	--	3.81	2.56	1.14	.88	.97	--	25	
C5S8BS	2103002	5	1	8	20.44	2.28	8.12	--	--	--	3.81	2.56	1.14	.88	.97	--	37	
C5D6BS	2103010	5	2	6	21.19	4.31	6.12	.63	.69	.84	3.81	2.56	1.14	.88	.97	2.03	40	
C5D8BS	2103012	5	2	8	23.06	4.31	8.12	.63	.69	.84	3.81	2.56	1.14	.88	.97	2.03	61	
C5T6BS	2103020	5	3	6	21.19	6.34	6.12	.63	.69	.84	3.81	2.56	1.14	.88	.97	2.03	54	
C5T8BS	2103022	5	3	8	23.06	6.34	8.12	.63	.69	.84	3.81	2.56	1.14	.88	.97	2.03	84	
7.5 Tons																		
C7S6BS	2103050	7.5	1	6	18.56	2.28	6.12	--	--	--	3.81	2.56	1.14	.88	.97	--	25	
C7S8BS	2103052	7.5	1	8	20.44	2.28	8.12	--	--	--	3.81	2.56	1.14	.88	.97	--	37	
C7D6BS	2103060	7.5	2	6	21.19	4.31	6.12	.63	.69	.84	3.81	2.56	1.14	.88	.97	2.03	40	
C7D8BS	2103062	7.5	2	8	23.06	4.31	8.12	.63	.69	.84	3.81	2.56	1.14	.88	.97	2.03	61	
C7T6BS	2103070	7.5	3	6	21.19	6.34	6.12	.63	.69	.84	3.81	2.56	1.14	.88	.97	2.03	54	
C7T8BS	2103072	7.5	3	8	23.06	6.34	8.12	.63	.69	.84	3.81	2.56	1.14	.88	.97	2.03	84	
10 Tons																		
C10S8BS	2103100	10	1	8	23.12	2.28	8.12	--	--	--	4.88	3.50	1.46	1.13	1.25	--	47	
C10S10BS	2103102	10	1	10	25.12	2.28	10.12	--	--	--	4.88	3.50	1.46	1.13	1.25	--	60	
C10S12BS	2103104	10	1	12	27.00	2.28	12.12	--	--	--	4.88	3.50	1.46	1.13	1.25	--	70	
C10S14BS	2103106	10	1	14	29.12	2.28	14.12	--	--	--	4.88	3.50	1.46	1.13	1.25	--	77	
C10D6BS	2103110	10	2	6	23.69	4.31	6.12	.63	.69	.84	4.88	3.50	1.46	1.13	1.25	2.03	52	
C10D8BS	2103112	10	2	8	25.44	4.31	8.12	.63	.69	.84	4.88	3.50	1.46	1.13	1.25	2.03	73	
C10D10BS	2103114	10	2	10	27.44	4.31	10.12	.63	.69	.84	4.88	3.50	1.46	1.13	1.25	2.03	97	
C10D12BS	2103116	10	2	12	29.31	4.31	12.12	.63	.69	.84	4.88	3.50	1.46	1.13	1.25	2.03	114	
C10D14BS	2103118	10	2	14	31.44	4.31	14.12	.63	.69	.84	4.88	3.50	1.46	1.13	1.25	2.03	129	
C10T8BS	2103120	10	3	8	25.44	6.34	8.12	.63	.69	.84	4.88	3.50	1.46	1.13	1.25	2.03	98	
C10T10BS	2103122	10	3	10	27.44	6.34	10.12	.63	.69	.84	4.88	3.50	1.46	1.13	1.25	2.03	132	
C10T12BS	2103124	10	3	12	29.31	6.34	12.12	.63	.69	.84	4.88	3.50	1.46	1.13	1.25	2.03	155	
C10T14BS	2103126	10	3	14	31.44	6.34	14.12	.63	.69	.84	4.88	3.50	1.46	1.13	1.25	2.03	179	
C10Q8BS	2103130	10	4	8	25.44	8.37	8.12	.63	.69	.84	4.88	3.50	1.46	1.13	1.25	2.03	123	
C10Q10BS	2103132	10	4	10	27.44	8.37	10.12	.63	.69	.84	4.88	3.50	1.46	1.13	1.25	2.03	169	
15 Tons																		
C15S10BS	2103170	15	1	10	29.31	3.04	10.12	--	--	--	6.00	4.12	1.81	1.38	1.50	--	102	
C15S12BS	2103172	15	1	12	31.19	3.04	12.12	--	--	--	6.00	4.12	1.81	1.38	1.50	--	118	
C15S14BS	2103174	15	1	14	33.19	3.04	14.12	--	--	--	6.00	4.12	1.81	1.38	1.50	--	137	
C15D10BS	2103180	15	2	10	32.31	5.34	10.12	.75	.81	1.00	6.00	4.12	1.81	1.38	1.50	2.30	147	
C15D12BS	2103182	15	2	12	34.19	5.34	12.12	.75	.81	1.00	6.00	4.12	1.81	1.38	1.50	2.30	170	
C15D14BS	2103184	15	2	14	36.19	5.34	14.12	.75	.81	1.00	6.00	4.12	1.81	1.38	1.50	2.30	200	
C15T8BS	2103190	15	3	8	30.31	7.64	8.12	.75	.81	1.00	6.00	4.12	1.81	1.38	1.50	2.30	143	
C15T10BS	2103192	15	3	10	32.31	7.64	10.12	.75	.81	1.00	6.00	4.12	1.81	1.38	1.50	2.30	190	
C15T12BS	2103194	15	3	12	34.19	7.64	12.12	.75	.81	1.00	6.00	4.12	1.81	1.38	1.50	2.30	220	
C15T14BS	2103196	15	3	14	36.19	7.64	14.12	.75	.81	1.00	6.00	4.12	1.81	1.38	1.50	2.30	252	
C15Q10BS	2103200	15	4	10	32.31	9.94	10.12	.75	.81	1.00	6.00	4.12	1.81	1.38	1.5	2.30	232	
20 Tons																		
C20S18BS	2103244	20	1	18	38.56	4.04	18.12	--	--	--	6.56	4.68	1.94	1.50	1.62	--	236	
C20D12BS	2103250	20	2	12	38.38	5.84	12.12	.88	.97	1.14	6.56	4.68	1.94	1.50	1.62	2.30	203	



All sizes are RFID EQUIPPED.

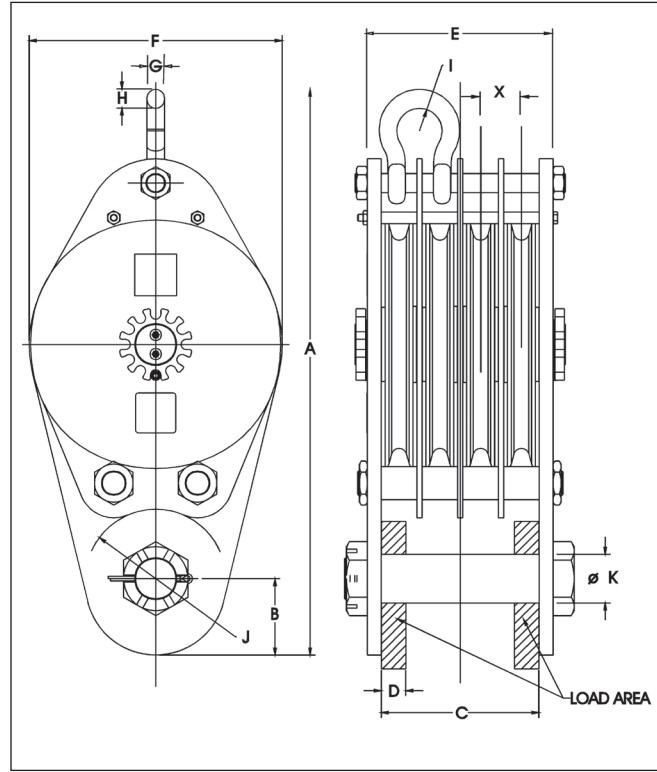
680 Blocks – "S" Fitting – Blocks with Hanger and Shackle

Model No.	680-S Inquiry Stock No.	Working Load Limit (Tons)	No. of Sheaves	Sheave Diam. (in)	Dimensions (in)													Weight Each (lb)
					A	E	F	G	H	I	S	T	U	V	W	X		
C20D14BS	2103252	20	2	14	39.19	5.84	14.12	.88	.97	1.14	6.56	4.68	1.94	1.50	1.62	2.30	235	
C20D16BS	2103254	20	2	16	41.44	5.84	16.12	.88	.97	1.14	6.56	4.68	1.94	1.50	1.62	2.30	275	
C20T10BS	2103260	20	3	10	35.44	8.14	10.12	.88	.97	1.14	6.56	4.68	1.94	1.50	1.62	2.30	221	
C20T12BS	2103262	20	3	12	37.38	8.14	12.12	.88	.97	1.14	6.56	4.68	1.94	1.50	1.62	2.30	250	
C20T14BS	2103264	20	3	14	39.19	8.14	14.12	.88	.97	1.14	6.56	4.68	1.94	1.50	1.62	2.30	296	
C20T16BS	2103266	20	3	16	41.44	8.14	16.12	.88	.97	1.14	6.56	4.68	1.94	1.50	1.62	2.30	350	
C20Q8BS	2103270	20	4	8	33.25	10.44	8.12	.88	.97	1.14	6.56	4.68	1.94	1.50	1.62	2.30	217	
C20Q10BS	2103272	20	4	10	35.44	10.44	10.12	.88	.97	1.14	6.56	4.68	1.94	1.50	1.62	2.30	268	
C20Q12BS	2103274	20	4	12	37.38	10.44	12.12	.88	.97	1.14	6.56	4.68	1.94	1.50	1.62	2.30	308	
C20Q14BS	2103276	20	4	14	39.19	10.44	14.12	.88	.97	1.14	6.56	4.68	1.94	1.50	1.62	2.30	358	
25 Tons																		
C25S18BS	2103314	25	1	18	38.56	4.04	18.12	--	--	--	6.56	4.68	1.94	1.50	1.62	--	236	
C25D12BS	2103320	25	2	12	38.38	5.84	12.12	.88	.97	1.14	6.56	4.68	1.94	1.50	1.62	2.30	203	
C25D14BS	2103322	25	2	14	39.19	5.84	14.12	.88	.97	1.14	6.56	4.68	1.94	1.50	1.62	2.30	235	
C25D16BS	2103324	25	2	16	41.44	5.84	16.12	.88	.97	1.14	6.56	4.68	1.94	1.50	1.62	2.30	275	
C25T10BS	2103330	25	3	10	35.44	8.14	10.12	.88	.97	1.14	6.56	4.68	1.94	1.50	1.62	2.30	221	
C25T12BS	2103332	25	3	12	37.38	8.14	12.12	.88	.97	1.14	6.56	4.68	1.94	1.50	1.62	2.30	250	
C25T14BS	2103334	25	3	14	39.19	8.14	14.12	.88	.97	1.14	6.56	4.68	1.94	1.50	1.62	2.30	296	
C25T16BS	2103336	25	3	16	41.44	8.14	16.12	.88	.97	1.14	6.56	4.68	1.94	1.50	1.62	2.30	350	
C25Q8BS	2103340	25	4	8	33.25	10.44	8.12	.88	.97	1.14	6.56	4.68	1.94	1.50	1.62	2.30	217	
C25Q10BS	2103342	25	4	10	35.44	10.44	10.12	.88	.97	1.14	6.56	4.68	1.94	1.50	1.62	2.30	268	
C25Q12BS	2103344	25	4	12	37.38	10.44	12.12	.88	.97	1.14	6.56	4.68	1.94	1.50	1.62	2.30	308	
C25Q14BS	2103346	25	4	14	39.19	10.44	14.12	.88	.97	1.14	6.56	4.68	1.94	1.50	1.62	2.30	358	
30 Tons																		
C30D12BS	2103390	30	2	12	41.06	6.84	12.12	1.00	1.06	1.34	6.56	4.06	1.94	1.50	1.62	2.80	245	
C30D14BS	2103392	30	2	14	42.94	6.84	14.12	1.00	1.06	1.34	6.56	4.06	1.94	1.50	1.62	2.80	281	
C30D16BS	2103394	30	2	16	45.31	6.84	16.12	1.00	1.06	1.34	6.56	4.06	1.94	1.50	1.62	2.80	323	
C30D18BS	2103396	30	2	18	47.06	6.84	18.12	1.00	1.06	1.34	6.56	4.06	1.94	1.50	1.62	2.80	400	
C30T10BS	2103400	30	3															

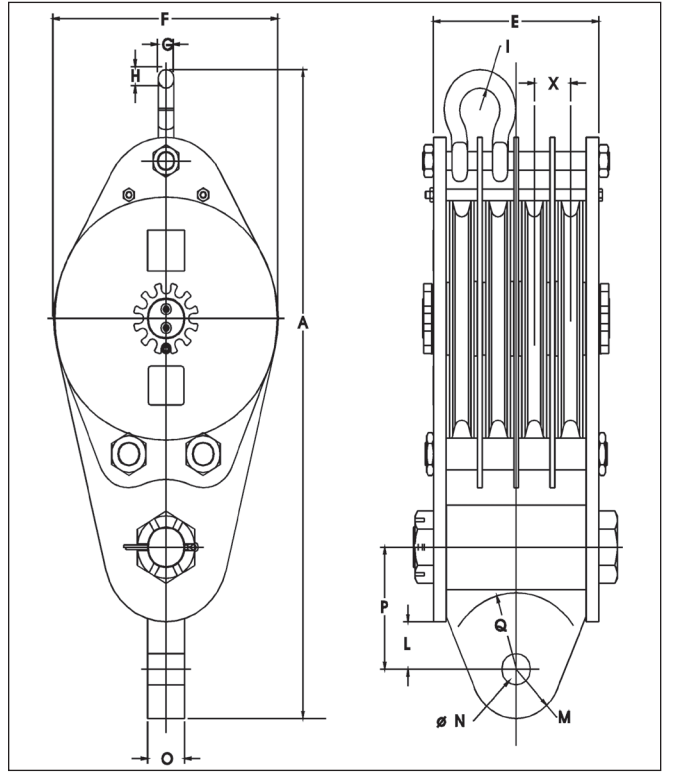
680 Blocks –“S” Fitting – Blocks with Hanger and Shackle

Model No.	680-S Inquiry Stock No.	Working Load Limit (Tons)	No. of Sheaves	Sheave Diam. (in)	Dimensions (in)													Weight Each (lb)
					A	E	F	G	H	I	S	T	U	V	W	X		
C45Q16BS	2103604	45	4	16	49.75	10.44	16.12	1.13	1.25	1.46	8.00	5.12	2.50	1.75	2.25	2.30	535	
C45Q18BS	2103606	45	4	18	50.25	13.33	18.12	1.13	1.25	1.46	8.00	5.12	2.50	1.75	2.25	2.90	800	
<b>50 Tons</b>																		
C50D20BS	2103640	50	2	20	56.81	7.84	20.12	1.25	1.38	1.62	8.88	5.63	2.88	2.00	2.40	3.30	740	
C50D24BS	2103642	50	2	24	60.81	7.84	24.12	1.25	1.38	1.62	8.88	5.63	2.88	2.00	2.40	3.30	923	
C50T18BS	2103650	50	3	18	55.56	10.40	18.12	1.25	1.38	1.62	8.88	5.25	2.88	2.00	2.40	2.90	752	
C50T20BS	2103652	50	3	20	56.81	10.40	20.12	1.25	1.38	1.62	8.88	5.25	2.88	2.00	2.40	2.90	864	
C50T24BS	2103654	50	3	24	60.81	10.40	24.12	1.25	1.38	1.62	8.88	5.25	2.88	2.00	2.40	2.90	1077	
C50Q16BS	2103660	50	4	16	53.44	13.33	16.12	1.25	1.38	1.62	8.88	5.25	2.88	2.00	2.40	2.90	780	
C50Q18BS	2103662	50	4	18	55.56	13.33	18.12	1.25	1.38	1.62	8.88	5.25	2.88	2.00	2.40	2.90	930	
<b>55 Tons</b>																		
C55D20BS	2103700	55	2	20	56.81	7.84	20.12	1.25	1.38	1.62	8.88	5.63	2.88	2.00	2.40	3.30	740	
C55D24BS	2103702	55	2	24	60.81	7.84	24.12	1.25	1.38	1.62	8.88	5.63	2.88	2.00	2.40	3.30	923	
C55T18BS	2103710	55	3	18	55.56	10.40	18.12	1.25	1.38	1.62	8.88	5.25	2.88	2.00	2.40	2.90	752	
C55T20BS	2103712	55	3	20	56.81	10.40	20.12	1.25	1.38	1.62	8.88	5.25	2.88	2.00	2.40	2.90	864	
C55T24BS	2103714	55	3	24	60.81	10.40	24.12	1.25	1.38	1.62	8.88	5.25	2.88	2.00	2.40	2.90	1077	
C55Q16BS	2103720	55	4	16	53.44	13.33	16.12	1.25	1.38	1.62	8.88	5.25	2.88	2.00	2.40	2.90	780	
C55Q18BS	2103722	55	4	18	55.56	13.33	18.12	1.25	1.38	1.62	8.88	5.25	2.88	2.00	2.40	2.90	930	
<b>60 Tons</b>																		
C60T18BS	2103760	60	3	18	55.56	10.40	18.12	1.25	1.38	1.62	8.88	5.25	2.88	2.00	2.40	2.90	752	
C60T20BS	2103762	60	3	20	56.75	10.40	20.12	1.25	1.38	1.62	8.88	5.25	2.88	2.00	2.40	2.90	864	
C60T24BS	2103764	60	3	24	60.75	10.40	24.12	1.25	1.38	1.62	8.88	5.25	2.88	2.00	2.40	2.90	1077	
C60Q18BS	2103770	60	4	18	55.56	13.33	18.12	1.25	1.38	1.62	8.88	5.25	2.88	2.00	2.40	2.90	930	
C60Q20BS	2103772	60	4	20	56.75	13.33	20.12	1.25	1.38	1.62	8.88	5.25	2.88	2.00	2.40	2.90	1080	
C60Q24BS	2103774	60	4	24	60.75	13.33	24.12	1.25	1.38	1.62	8.88	5.25	2.88	2.00	2.40	2.90	1290	
<b>65 Tons</b>																		
C65T18BS	2103810	65	3	18	55.56	10.40	18.12	1.25	1.38	1.62	8.88	5.25	2.88	2.00	2.40	2.90	752	
C65T20BS	2103812	65	3	20	56.75	10.40	20.12	1.25	1.38	1.62	8.88	5.25	2.88	2.00	2.40	2.90	864	
C65T24BS	2103814	65	3	24	60.75	10.40	24.12	1.25	1.38	1.62	8.88	5.25	2.88	2.00	2.40	2.90	1077	
C65Q18BS	2103820	65	4	18	55.56	13.33	18.12	1.25	1.38	1.62	8.88	5.25	2.88	2.00	2.40	2.90	930	
C65Q20BS	2103822	65	4	20	56.75	13.33	20.12	1.25	1.38	1.62	8.88	5.25	2.88	2.00	2.40	2.90	1080	
C65Q24BS	2103824	65	4	24	60.75	13.33	24.12	1.25	1.38	1.62	8.88	5.25	2.88	2.00	2.40	2.90	1290	
<b>70 Tons</b>																		
C70T20BS	2103830	70	3	20	65.75	11.14	20.12	1.38	1.50	1.82	11.88	7.25	3.62	2.71	3.12	3.30	1170	
C70Q20BS	2103840	70	4	20	65.75	13.31	20.12	1.38	1.50	1.82	11.88	7.25	3.62	2.71	3.12	2.90	1235	
C70Q24BS	2103842	70	4	24	69.75	13.31	24.12	1.38	1.50	1.82	11.88	7.25	3.62	2.71	3.12	2.90	1560	
C70QN20BS	2103850	70	5	20	65.75	18.23	20.12	1.38	1.50	1.82	11.88	7.25	3.62	2.71	3.12	3.30	1590	
C70QN24BS	2103852	70	5	24	69.75	18.23	24.12	1.38	1.50	1.82	11.88	7.25	3.62	2.71	3.12	3.30	2000	
<b>80 Tons</b>																		
C80T20BS	2103860	80	3	20	65.75	11.14	20.12	1.38	1.50	1.82	11.88	7.25	3.62	2.71	3.12	3.30	1170	
C80Q20BS	2103870	80	4	20	65.75	13.31	20.12	1.38	1.50	1.82	11.88	7.25	3.62	2.71	3.12	2.90	1300	
C80Q24BS	2103872	80	4	24	69.75	13.31	24.12	1.38	1.50	1.82	11.88	7.25	3.62	2.71	3.12	2.90	1560	
C80QN20BS	2103880	80	5	20	65.75	18.23	20.12	1.38	1.50	1.82	11.88	7.25	3.62	2.71	3.12	3.30	1590	
C80QN24BS	2103882	80	5	24	69.75	18.23	24.12	1.38	1.50	1.82	11.88	7.25	3.62	2.71	3.12	3.30	2000	
<b>90 Tons</b>																		
C90Q20BS	2103920	90	4	20	65.75	13.81	20.12	1.38	1.50	1.82	11.88	7.25	3.62	2.71	3.12	2.90	1360	
C90Q24BS	2103922	90	4	24	69.75	13.81	24.12	1.38	1.50	1.82	11.88	7.25	3.62	2.71	3.12	2.90	1720	
C90QN20BS	2103930	90	5	20	65.75	18.23	20.12	1.38	1.50	1.82	11.88	7.25	3.62	2.71	3.12	3.30	1590	
C90QN24BS	2103932	90	5	24	69.75	18.23	24.12	1.38	1.50	1.82	11.88	7.25	3.62	2.71	3.12	3.30	2060	
<b>100 Tons</b>																		
C100QN20BS	2103970	100	5	20	65.75	18.23	20.12	1.38	1.50	1.82	11.88	7.25	3.62	2.71	3.12	3.30	1590	
C100QN24BS	2103972	100	5	24	69.75	18.23	24.12	1.38	1.50	1.82	11.88	7.25	3.62	2.71	3.12	3.30	2060	
C100SX20BS	2103980	100	6	20	65.75	20.41	20.12	1.38	1.50	1.82	11.88	7.25	3.62	2.71	3.12	2.90	1665	
C100SX24BS	2103982	100	6	24	69.75	20.41	24.12	1.38	1.50	1.82	11.88	7.25	3.62	2.71	3.12	2.90	2155	

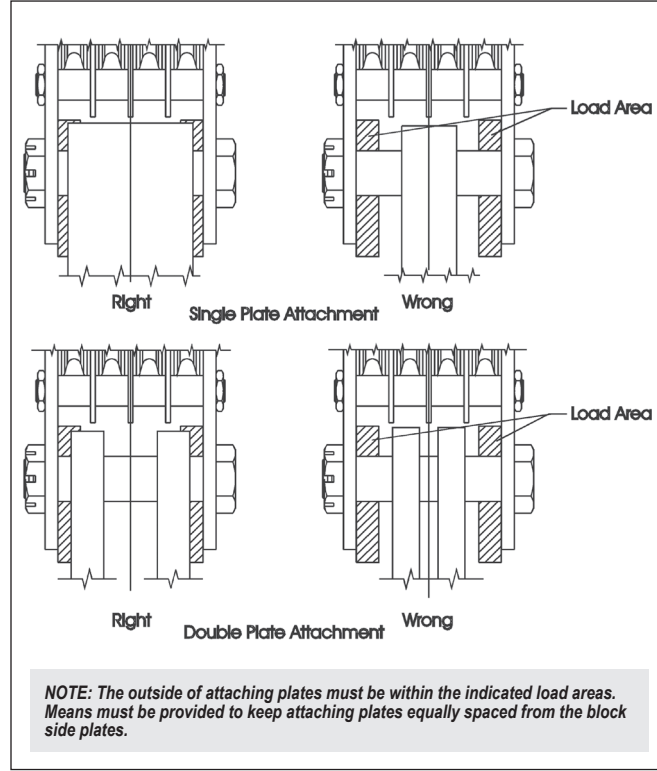
“P” Fitting – Block with Bolt Only



“H” Fitting – Block with Hangers Only



Block Loading Area



“S” Fitting – Block with Hanger and Shackle

