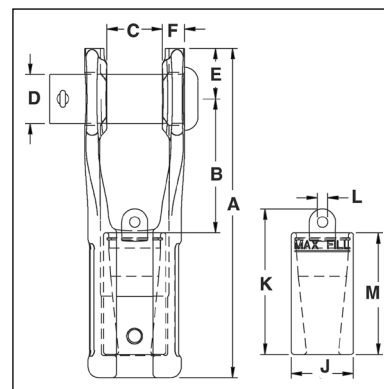


Button Spelter Sockets

SB-427



- Available in six sizes from 1/2" to 1-1/2", (13mm - 38mm).
- Button Spelter terminations have a 100% efficiency rating, based on the catalog strength of the wire rope.
- Designed for use with mobile cranes. Can be used to terminate high performance, rotation resistant ropes, and standard 6 strand ropes.
- Easy to install assembly utilizes Crosby® WIRELOCK® socketing compound.
- Sockets and buttons are re-usable.
- Replacement buttons and sockets are available.
- Locking feature available to prevent rotation of rope.
- Button contains cap with eye that can be attached to, and used to pull, rope during reeving process.



SB-427 Button Spelter Sockets

Wire Rope Size		SB-427 Stock No.	Ultimate Load (t)	Weight Each (lbs.)	Socket Only Stock No.	Button Only Stock No.	Dimensions (in.)										Tolerance +/-
(in.)	(mm)						A	B	C	D	E	F	J	K	L	M	
1/2 - 5/8	13-16	1052005	27	6.1	1052107	1052309	7.94	3.23	1.28	1.19	1.22	.57	1.50	3.50	.25	2.93	.06
5/8 - 3/4	16-19	1052014	45	10.3	1052116	1052318	9.44	3.88	1.53	1.38	1.44	.66	1.75	4.28	.38	3.43	.06
3/4 - 7/8	19-22	1052023	57	17.1	1052125	1052327	10.81	4.41	1.78	1.62	1.69	.75	2.06	4.78	.38	3.96	.06
7/8 - 1	22-26	1052032	82	29.2	1052134	1052336	12.88	5.48	2.03	2.00	2.00	.89	2.44	5.62	.62	4.52	.09
1-1/8 - 1-1/4	28-32	1052041	136	46.0	1052143	1052345	14.90	5.68	2.53	2.25	2.50	1.11	2.94	7.08	.75	5.72	.09
1-3/8 - 1-1/2	35-38	1052050	161	78.0	1052152	1052354	18.06	7.17	3.03	2.75	2.75	1.24	3.62	8.08	.75	6.76	.09

SB-427TB (Bolt, Nut and Cotter Pin)

Wire Rope Size		SB-427 Stock No.	Ultimate Load (t)	Weight Each (lbs.)	Socket Only Stock No.	Button Only Stock No.	Dimensions (in.)										Tolerance +/-
(in.)	(mm)						A	B	C	D	E	F	J	K	L	M	
1/2 - 5/8	13-16	1052406	27	6.1	1052107	1052309	7.94	3.23	1.28	1.19	1.22	.57	1.50	3.50	.25	2.93	.06
5/8 - 3/4	16-19	1052415	45	10.3	1052116	1052318	9.44	3.88	1.53	1.38	1.44	.66	1.75	4.28	.38	3.43	.06
3/4 - 7/8	19-22	1052424	57	17.1	1052125	1052327	10.81	4.41	1.78	1.62	1.69	.75	2.06	4.78	.38	3.96	.06
7/8 - 1	22-26	1052433	82	29.2	1052134	1052336	12.88	5.48	2.03	2.00	2.00	.89	2.44	5.62	.62	4.52	.09
1-1/8 - 1-1/4	28-32	1052442	136	46.0	1052143	1052345	14.90	5.68	2.53	2.25	2.50	1.11	2.94	7.08	.75	5.72	.09
1-3/8 - 1-1/2	35-38	1052451	161	78.0	1052152	1052354	18.06	7.17	3.03	2.75	2.75	1.24	3.62	8.08	.75	6.76	.09

Wirelock Requirements

Wire Rope Size		WIRELOCK Required (cc)	WIRELOCK Stock No.	WIRELOCK Kit Size (cc)
(in.)	(mm)			
1/2 - 5/8	13-16	35	1039602	100
5/8 - 3/4	16-19	60	1039602	100
3/4 - 7/8	19-22	100	1039602	100
7/8 - 1	22-26	140	1039602*	100
1-1/8 - 1-1/4	28-32	250	1039604	250
1-3/8 - 1-1/2	35-38	420	1039606	500

* 2 kits required.



Scan this QR code with your smart device to view our Wedge and Button Sockets video.

APPLICATION INSTRUCTIONS
SEE PAGE 55 OF THE GENERAL CATALOG