

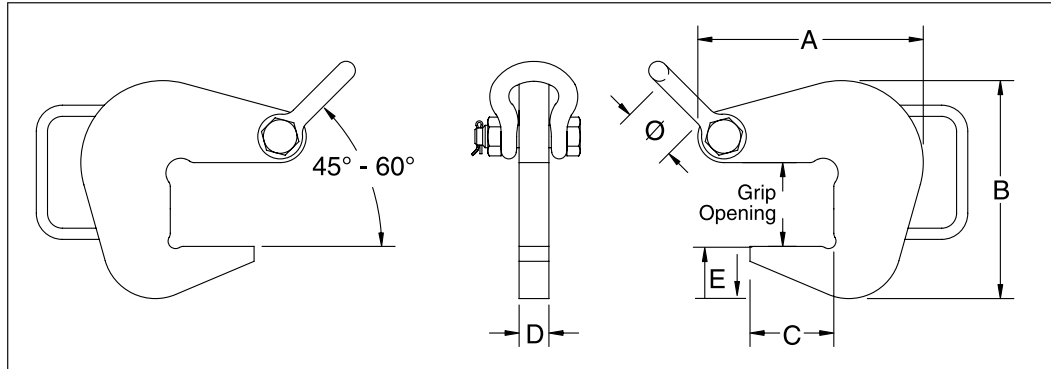
Crosby® Clamp-Co Pipe Hooks

CCPH



Crosby Clamp-Co Pipe Hooks provide a fast and efficient method for lifting pipe, tube or any similarly shaped fabrications.

- Alloy steel plate construction.
- Equipped with a convenient handle.
- Equipped with a Bolt Type Shackle.
- Non marring inserts available.
- Used in pairs with 45° - 60° horizontal angle or 60° - 90° included angle.



Pipe Hooks

Model	CCPH Stock No.	Working Load Limit (Per Pair) (t)**	Grip (mm)	Weight Each (kg.)	Dimensions (mm)						Shackle Size (in.)	Cast Aluminium Inserts*
					A	B	C	D	E	Ø		
PH-2	2734500	2	52.3	2.70	148	129	52.3	25.4	31.8	42.9	5/8	2734800 2734809
PH-4	2734509	4	71.4	4.56	192	186	71.4	25.4	44.4	42.9	5/8	2734818
PH-6	2734518	6	103	8.05	259	256	103	25.4	57.2	50.8	3/4	2734827
PH-10	2734527	10	154	17.5	376	383	154	25.4	88.9	68.3	1.0	2734836

* See CCPHI chart for Pipe ID range.

**Design factor based on EN13155 and ASME B30.20

Contact our Specials Sales Department for custom Pipe Hooks or reference the special request form on page 481.

Pipe Hook Inserts

- Interchangeable cast aluminium inserts for use with the CCPH Pipe Hook that minimizes thread and pipe damage.

CCPHI

Catalog Number	Stock No.	ID of Pipe (mm)
CCPHI	2734800	76 - 305
	2734809	305 - 457
	2734818	457 - 762
	2734827	762 - 1067
	2734836	1067 - 1329

