

# Shipbuilding Clamps: Bulbprofiles

## IPBTO10



The IPBTO/10 shipbuilding clamp is used as a temporary tackle eye in spaces which have been reinforced with HP (bulb) profiles such as engine rooms and shipsections. This clamp is fitted with a screwed spindle for easy attachment of the clamp. The moment a load is applied, the clamp is automatically fixed.

For use as a temporary tackle eye in spaces which have been reinforced with HP (bulb) profiles such as engine rooms and shipsections.

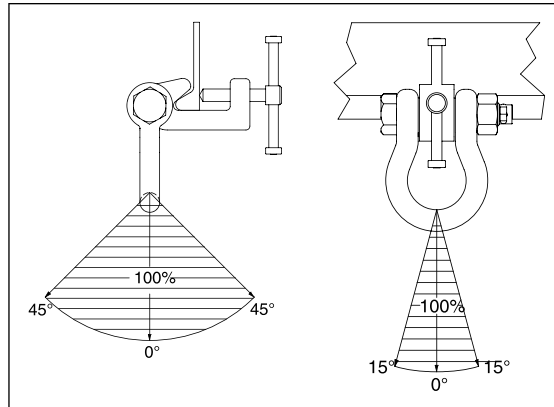
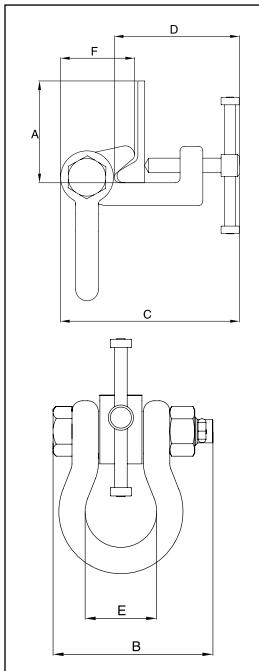
- Available in capacities of 1.5 thru 6 metric tons.
- Wide variety of jaw openings available: HP 160mm to HP 430mm.
- Welded alloy steel body for strength and smaller size. Forged alloy components, where required.
- Individually Proof Tested to 2 times the Working Load Limit with certification.
- Company name (CrosbyIP), logo, Working Load Limit and jaw opening permanently stamped on body.
- Each product is individually serialized, with the serial number and Proof Load test date stamped on body. Serial number is included on the test certificate with maintenance and warranty logbook.
- Maintenance replacement parts are available.
- Manufactured by a ISO 9001 facility.

**Load Rated**

### Model IPBTO10

Model	Working Load Limit (t)*	IPBTO10 Stock No.	Weight Each (kg.)	Dimensions (mm)					
				Jaw A	B	C	D	E	F
IPBTO10	1.5	2700980	4.3	HP 160-240	137	188-209	129-150	68	81
IPBTO10	3	2700986	6.0	HP 240-320	137	188-217	145-174	68	78
IPBTO10	6	2700991	13.0	HP 300-430	185	255-297	195-236	98	102

\* Design Factor based on EN 13155 and ASME B30.20.



Crosby Lifting Clamps