

Drum Clamps

IPDV



The IPDV drum clamp is for vertical lift and transfer. Allows drum to remain in an upright position during the lift and transfer using one clamp.

Designed to lift, move and transfer 50-55 gallon drums with steel tops

- Available in capacity of .5 metric tons.
- Jaw openings available: IPDV - 11.75" IPVK - .63".
- Welded alloy steel body for strength and smaller size. Forged alloy components, where required.
- Individually Proof Tested to 2 times the Working Load Limit with certification.
- Company name (CrosbyIP), logo, Working Load Limit and jaw opening permanently stamped on body.
- Each product is individually serialized, with the serial number and Proof Load test date stamped on body. Serial number is included on the test certificate with maintenance and warranty logbook.
- Maintenance replacement parts are available.
- Manufactured by a ISO 9001 facility.
- IPDV is **RFID EQUIPPED**.

IPVK



The IPVK drum clamp is for vertical lift and transfer. Automatically locks on drum, and can be used alone or in pairs.

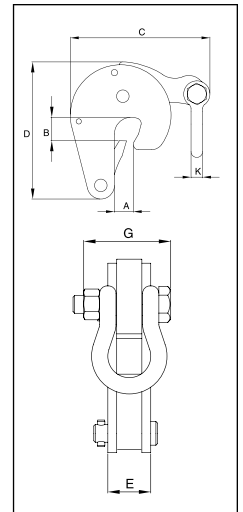
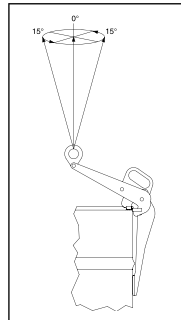
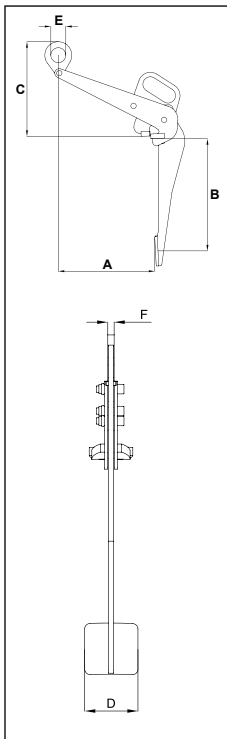


Load Rated

Model IPDV

Model	Working Load Limit (t)*	IPDV Stock No.	Weight Each (lbs.)	Dimensions (in.)					
				Jaw A	B	C	D	E	F
IPDV	0.5	2700118	15.7	11.75	14.76	11.42	5.91	1.97	.47

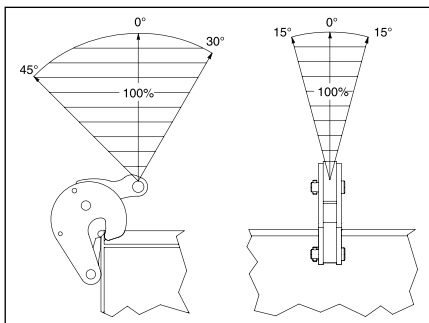
* Design Factor based on EN 13155 and ASME B30.20.



Model IPVK

Model	Working Load Limit (t)*	IPVK Stock No.	Weight Each (lbs.)	Dimensions (in.)						
				Jaw A	B	C	D	E	G	K
IPVK	0.5	2700116	3.53	.63	1.02	1.02	5.20	1.14	2.01	.43

* Design Factor based on EN 13155 and ASME B30.20.



Crosby Lifting Clamps