

# Drum Clamps

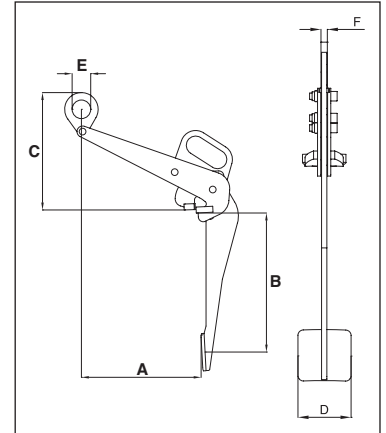


## IPDV

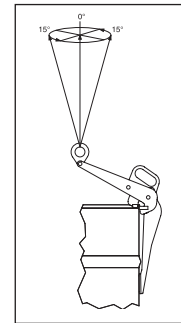
The IPDV drum clamp is for vertical lift and transfer. Allows drum to remain in an upright position during the lift and transfer using one clamp.

## Designed to lift, move and transfer 50-55 gallon drums with steel tops

- Available in capacity of .5 metric tons.
- Jaw openings available: IPDV - 11.8" and IPVK - .67".
- Welded alloy steel body for strength and smaller size. Forged alloy components, where required.
- Individually Proof Tested to 2 times the Working Load Limit with certification
- Company name (CrosbyIP), logo, Working Load Limit and jaw opening permanently stamped on body.
- Each product is individually serialized, with the serial number and Proof Load test date stamped on body. User manual with test certificate is included with each clamp
- Maintenance and repair kits are available.
- Manufactured by an ISO 9001 facility.
- IPDV is **RFID EQUIPPED**.



**Load Rated®**



## Model IPDV

Model	Working Load Limit (t)*	IPDV Stock No.	Weight Each (lb)	Dimensions (in)					
				Jaw A	B	C	D	E	F
IPDV	0.5	2700118	15.7	11.75	14.76	11.42	3.94	1.97	0.47

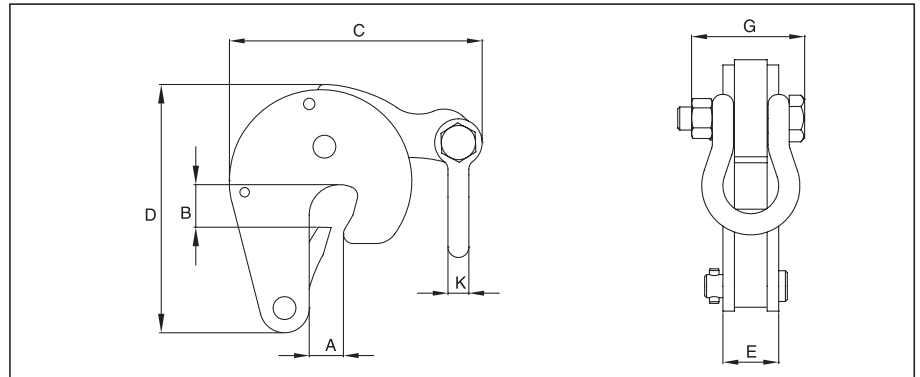
\* Design Factor based on EN 13155 and ASME B30.20.



## Model IPVK

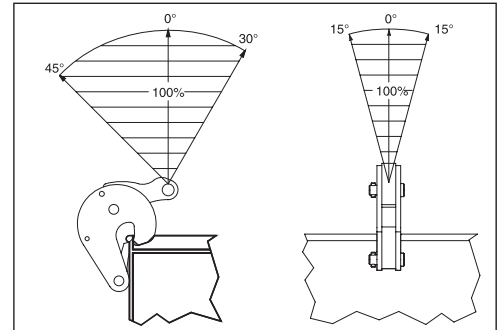
Model	Working Load Limit (t)*	IPVK Stock No.	Weight Each (lb)	Dimensions (in)						
				Jaw A	B	C	D	E	G	K
IPVK	0.5	2700116	3.53	0 - 0.63	1.02	5.31	5.20	1.14	2.01	0.43

\* Design Factor based on EN 13155 and ASME B30.20.



## IPVK

The IPVK drum clamp is for vertical lift and transfer. Automatically locks on drum, and can be used alone or in pairs.



Crosby Lifting Clamps