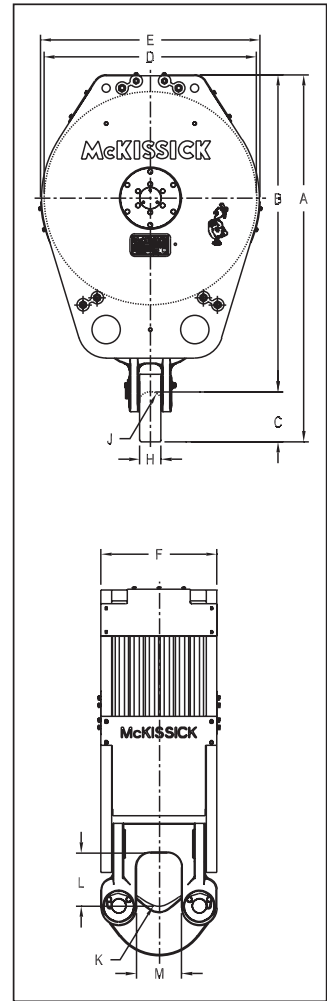




RP Style
Traveling
Block

RP Style Traveling Blocks

- Capacities Available: 250, 350, 500, 750 and 1000 Tons
- Double row, pre-adjusted tapered bearings with seals.
- Blocks contain McKissick® Roll-Forged sheaves with flame hardened grooves.
 - Grooves are API profile
- Separate lubrication channel to each sheave.
- Bail design to adapt to comparable capacity drilling equipment.
- Additional weights available upon request.
- Manufactured to the requirements of API 8C, including all documentation.
 - Each block is individually serialized for full traceability.
 - Furnished with Certificate of Conformance
- Minimum design temperature of -20°C (-4°F)..
- Standard top coat finish is safety orange enamel
 - Other paint colors and systems are available on request.
 - Individual parts are primer coated on exposed surfaces.
- Block side plates can be drilled to adapt customer supplied equipment.
- Easy bail pin removal.
- All sizes are **RFID EQUIPPED**.



RP Style Traveling Blocks

RP Block Stock No.	Working Load Limit (Tons)	Sheave Diam. (in)	No. of Sheaves	Standard Wireline Size (in)*	Dimensions (in)											Weight Each (lb)
					A	B	C	D	E	F	H	J	K	L	M	
2031027	250	36	5	1-1/4	74.00	63.00	11.00	36.00	39.00	24.25	5.00	2.50	3.50	10.88	7.94	5,600
2032319	250	42	5	1-1/8	80.00	69.00	11.00	42.00	44.00	24.25	5.00	2.50	3.50	10.88	7.94	7,050
2029783	350	42	5	1-1/4	80.00	69.00	11.00	42.00	44.00	24.25	5.00	2.50	3.50	10.88	7.94	7,150
2031434	350	42	6	1-1/4	80.00	69.00	11.00	42.00	44.00	28.00	5.00	2.50	3.50	10.88	7.94	7,800
2029735	500	60	6	1-3/8	98.25	84.25	14.00	60.00	61.50	32.75	6.00	3.50	4.00	15.00	12.75	16,100
2029761	750	60	7	1-1/2	107.25	92.25	15.00	60.00	61.50	39.00	9.00	4.50	5.00	18.50	17.00	21,800
2023226	1000	72	8	1-3/4	127.25	109.25	18.00	72.00	74.00	48.25	9.00	5.00	6.25	19.75	21.25	38,500

* Additional Wireline sizes are available.