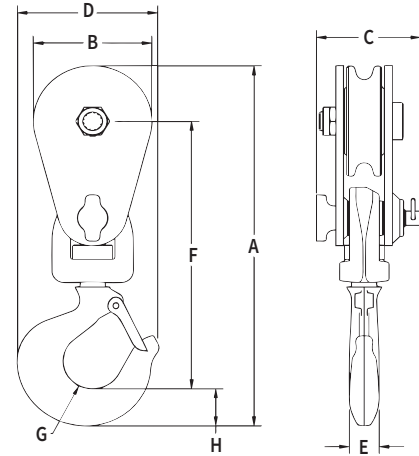


**HOOK FITTING,  
SINGLE SHEAVE, 15-30t**



- Opening feature permits easy insertion of rope without reeving, or while the block is suspended.
- Bolt for opening feature is retained, to ensure no lost bolts.
- Forged steel swivel tees, yokes and hooks.
- Furnished with a latch installed.
- Can be furnished with bronze bushings or roller bearings.
- Center pin equipped with pressure lube fitting.
- All sizes feature sheave grooves suited for a range of wire line diameters.
- Meets or exceeds all requirements of ASME B30.26 including identification

- ductility, design factor, proof load and temperature requirements. Importantly, these blocks meet other critical performance requirements including fatigue life and material traceability, not addressed by ASME B30.26.
- All blocks are RFID EQUIPPED.
- "All Alloy" snatch blocks feature a significant reduction in weight compared to snatch blocks made of non-alloy materials.
- Crosby's Engineered Solutions Group is ready to discuss your requirements and help select or develop the ideal block for your application. Call us at 1-800-777-1555.

Working Load Limit (t)*	Wire Rope Size (in)	Sheave Diameter (in)	Bearing Code	Weight Each (lb)	Catalog No.	Description	Stock No.	Dimensions (in)							
								A	B	C	D	E	F	G	H
15 tonnes															
15	3/4 - 7/8	8	BB	51	420	Champion	108275	23.50	8.12	5.09	8.34	1.76	16.51	1.50	2.93
15	3/4 - 7/8	8	RB	51	420	Champion	108276	23.50	8.12	5.09	8.34	1.76	16.51	1.50	2.93
15	3/4 - 7/8	10	BB	63	420	Champion	108371	25.25	10.12	5.09	8.34	1.76	17.26	1.50	2.93
15	3/4 - 7/8	10	RB	63	420	Champion	108372	25.25	10.12	5.09	8.34	1.76	17.26	1.50	2.93
15	3/4 - 7/8	16	BB	130	418	Light Champion	108608	32.25	16.12	5.09	8.34	1.76	21.26	1.50	2.93
15	3/4 - 7/8	16	RB	130	418	Light Champion	108626	32.25	16.12	5.09	8.34	1.76	21.26	1.50	2.93
15	7/8 - 1	18	BB	150	418	Light Champion	108644	33.50	18.12	5.09	8.34	1.76	21.51	1.50	2.93
15	7/8 - 1	18	RB	150	418	Light Champion	108662	33.50	18.12	5.09	8.34	1.76	21.51	1.50	2.93
20 tonnes															
20	1 - 1-1/8	8	BB	75	430	Super Champion	120023	25.87	8.12	6.00	9.39	2.00	18.43	1.50	3.38
20	1 - 1-1/8	8	RB	75	430	Super Champion	120041	25.87	8.12	6.00	9.39	2.00	18.43	1.50	3.38
20	1 - 1-1/8	10	BB	89	430	Super Champion	120096	27.94	10.12	6.00	9.39	2.00	19.50	1.50	3.38
20	1 - 1-1/8	10	RB	89	430	Super Champion	120112	27.94	10.12	6.00	9.39	2.00	19.50	1.50	3.38
20	1 - 1-1/8	12	BB	103	430	Super Champion	120176	30.00	12.25	6.00	9.39	2.00	20.50	1.50	3.38
20	1 - 1-1/8	12	RB	103	430	Super Champion	120194	30.00	12.25	6.00	9.39	2.00	20.50	1.50	3.38
20	1 - 1-1/8	14	BB	123	430	Super Champion	120256	32.34	14.00	6.00	9.39	2.00	21.96	1.50	3.38
20	1 - 1-1/8	14	RB	123	430	Super Champion	120274	32.34	14.00	6.00	9.39	2.00	21.96	1.50	3.38
25 tonnes															
25	1 - 1-1/4	8	BB	90	434	All Alloy High Capacity	208896	26.56	8.25	6.13	9.36	2.00	19.06	1.50	3.38
25	1 - 1-1/4	10	BB	107	434	All Alloy High Capacity	208910	28.63	10.25	6.13	9.36	2.00	20.13	1.50	3.38
25	1 - 1-1/4	18	BB	240	430	Super Champion	119486	41.41	18.25	7.12	11.76	2.50	27.97	1.94	4.32
25	1 - 1-1/4	18	RB	240	430	Super Champion	119487	41.41	18.25	7.12	11.76	2.50	27.97	1.94	4.32
30 tonnes															
30	1 - 1-1/4	12	BB	165	434	All Alloy High Capacity	208931	36.32	12.25	7.00	11.76	2.50	25.88	1.94	4.32
30	1 - 1-1/4	14	BB	180	434	All Alloy High Capacity	208932	38.57	14.25	7.00	11.76	2.50	27.13	1.94	4.32
30	1 - 1-1/4	20	BB	375	430	Super Champion	119507	52.15	20.25	8.31	15.24	3.00	36.12	2.25	5.91
30	1 - 1-1/4	20	RB	375	430	Super Champion	119516	52.15	20.25	8.31	15.24	3.00	36.12	2.25	5.91
30	1 - 1-1/4	24	BB	450	430	Super Champion	119525	55.75	24.25	8.31	15.24	3.00	37.75	2.25	5.91
30	1 - 1-1/4	24	RB	450	430	Super Champion	119534	55.75	24.25	8.31	15.24	3.00	37.75	2.25	5.91

\* Ultimate Load is 4 times the Working Load Limit.