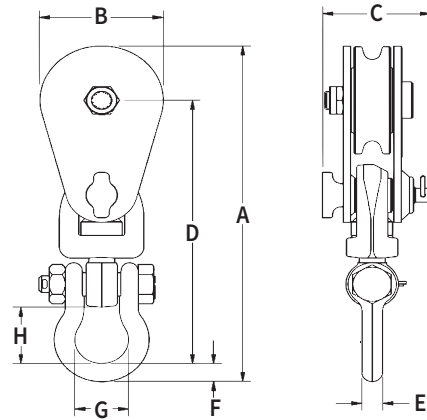


**SHACKLE FITTING,
SINGLE SHEAVE, 15-60t**



- Opening feature permits easy insertion of rope without reeving, or while the block is suspended.
- Bolt for opening feature is retained, to ensure no lost bolts.
- Forged steel swivel tees, yokes and shackles.
- Can be furnished with bronze bushings or roller bearings.
- Center pin equipped with pressure lube fitting.
- All sizes feature sheave grooves suited for a range of wire line diameters.
- Meets or exceeds all requirements of ASME B30.26 including identification, ductility, design factor, proof load and temperature requirements.

Importantly, these blocks meet other critical performance requirements including fatigue life and material traceability, not addressed by ASME B30.26.

- All blocks are RFID EQUIPPED.
- "All Alloy" snatch blocks feature a significant reduction in weight compared to snatch blocks made of non-alloy materials.
- Crosby's Engineered Solutions Group is ready to discuss your requirements and help select or develop the ideal block for your application. Call us at 1-800-777-1555.

Working Load Limit (t)*	Wire Rope Size (in)	Sheave Diameter (in)	Bearing Code	Weight Each (lb)	Catalog No.	Description	Stock No.	Dimensions (in)							
								A	B	C	D	E	F	G	H
15 tonnes															
15	3/4 - 7/8	8	BB	59	421	Champion	108308	23.00	8.12	5.09	17.19	1.50	1.75	3.12	3.12
15	3/4 - 7/8	8	RB	59	421	Champion	108309	23.00	8.12	5.09	17.19	1.50	1.75	3.12	3.12
15	3/4 - 7/8	10	BB	68	421	Champion	108390	24.75	10.12	5.09	17.94	1.50	1.75	3.12	3.12
15	3/4 - 7/8	10	RB	68	421	Champion	108391	24.75	10.12	5.09	17.94	1.50	1.75	3.12	3.12
15	3/4 - 7/8	16	BB	130	419	Light Champion	109607	31.75	16.12	5.09	22.00	1.50	1.75	3.12	3.12
15	3/4 - 7/8	16	RB	130	419	Light Champion	109625	31.75	16.12	5.09	22.00	1.50	1.75	3.12	3.12
15	7/8 - 1	18	BB	159	419	Light Champion	109643	33.12	18.12	5.09	22.25	1.50	1.75	3.12	3.12
15	7/8 - 1	18	RB	159	419	Light Champion	109661	33.12	18.12	5.09	22.25	1.50	1.75	3.12	3.12
20 tonnes															
20	1 - 1-1/8	8	BB	92	431	Super Champion	121022	26.57	8.12	6.00	19.76	2.00	2.75	3.72	4.00
20	1 - 1-1/8	8	RB	92	431	Super Champion	121040	26.57	8.12	6.00	19.76	2.00	2.75	3.72	4.00
20	1 - 1-1/8	10	BB	112	431	Super Champion	121095	28.64	10.12	6.00	20.72	2.00	2.75	3.72	4.00
20	1 - 1-1/8	10	RB	112	431	Super Champion	121111	28.64	10.12	6.00	20.72	2.00	2.75	3.72	4.00
20	1 - 1-1/8	12	BB	130	431	Super Champion	121175	30.65	12.25	6.00	21.78	2.00	2.75	3.72	4.00
20	1 - 1-1/8	12	RB	130	431	Super Champion	121193	30.65	12.25	6.00	21.78	2.00	2.75	3.72	4.00
20	1 - 1-1/8	14	BB	160	431	Super Champion	121255	33.00	14.00	6.00	23.25	2.00	2.75	3.72	4.00
20	1 - 1-1/8	14	RB	160	431	Super Champion	121273	33.00	14.00	6.00	23.25	2.00	2.75	3.72	4.00
25 tonnes															
25	1 - 1-1/4	8	BB	103	435	All Alloy High Capacity	208954	27.08	8.25	6.13	20.21	2.00	2.75	3.72	4.00
25	1 - 1-1/4	10	BB	117	435	All Alloy High Capacity	208965	29.33	10.24	6.13	21.46	2.00	2.75	3.72	4.00
25	1 - 1-1/4	18	BB	270	431	Super Champion	119495	41.36	18.25	7.13	29.12	2.00	3.12	3.50	4.81
25	1 - 1-1/4	18	RB	280	431	Super Champion	119496	41.36	18.25	7.13	29.12	2.00	3.12	3.50	4.81
30 tonnes															
30	1 - 1-1/4	12	BB	208	435	All Alloy High Capacity	208976	36.61	12.25	7.00	27.37	2.00	3.12	3.50	4.81
30	1 - 1-1/4	14	BB	230	435	All Alloy High Capacity	208977	38.86	14.25	7.00	28.62	2.00	3.12	3.50	4.81
30	1 - 1-1/4	20	BB	503	431	Super Champion	119589	52.40	20.25	8.31	38.34	2.50	3.94	5.62	7.06
30	1 - 1-1/4	20	RB	485	431	Super Champion	119598	52.40	20.25	8.31	38.34	2.50	3.94	5.62	7.06
30	1 - 1-1/4	24	BB	581	431	Super Champion	119605	56.00	24.25	8.31	40.00	2.50	3.94	5.62	7.06
30	1 - 1-1/4	24	RB	575	431	Super Champion	119614	56.00	24.25	8.31	40.00	2.50	3.94	5.62	7.06
60 tonnes															
60	1 - 1-1/4	12	BB	315	435	All Alloy High Capacity	8027291	41.65	12.12	8.66	33.19	2.06	2.40	5.75	6.12

* Ultimate Load is 4 times the Working Load Limit.