

Trench Cover Hoist Rings

Load Rated



SEE APPLICATION AND WARNING INFORMATION

Para Español: www.thecrosbygroup.com

On Page 184-185

HR-500

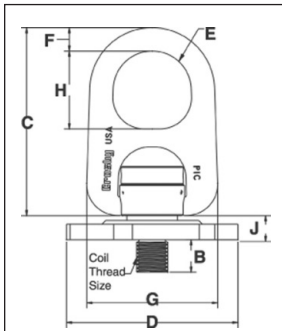


- Designed to simplify the lifting and placement of steel plates used to cover trenches in streets.
- Provides a standard fitting to be used in place of products not designed for trench cover applications.
- Capacities of 5,000, 10,000 & 15,000 lbs. for plate thicknesses of 3/4" to 1-1/2"
- Detailed welding instructions included with every hoist ring.
- Forged bail provides the following:
 - Easily readable "Raised Lettering" showing the name Crosby or "CG" and PIC code for material traceability.
 - More durability provides the increased "Toughness" desired in potentially abusive field conditions.
- 180 degree pivot and 360 degree rotation at full capacity.
- Design Factor of 5 to 1.
- Individually Proof Tested to 2-1/2 times Working Load Limit.
- All sizes are RFID EQUIPPED.

HRN-500

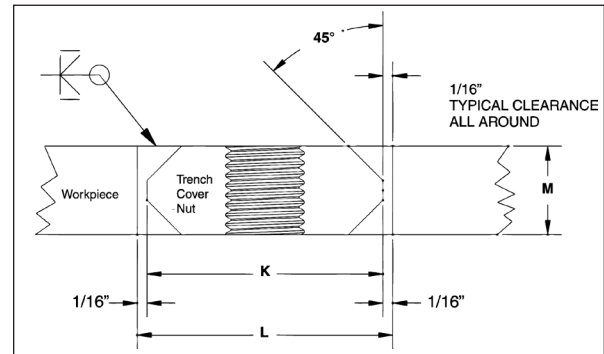


HR-500 Trench Cover Hoist Rings Coil Threads



HR-500 Stock No.	Working Load Limit (lbs)*	Weight Each (lbs.)	Coil Thread Size "A"	Effective Thread Projection Length B	Dimensions (in)						
					C	D	Radius E	F	G	H	J
1017907	5000	5.6	1" - 3.5	1.00	5.90	5.50	1.25	.75	4.20	2.50	.77
1017916	10000	15.7	1-1/4" - 3.5	1.00	8.27	7.00	1.63	1.00	6.25	3.25	.81
1017925	15000	29.8	1-1/2" - 3.5	1.50	10.63	9.13	2.00	1.25	7.82	4.00	.80

*Ultimate Load is 5 times the Working Load Limit.



HRN-500 Trench Cover Nuts

HRN-500 Stock No.	Working Load Limit (lbs)	Weight Each (lbs.)	Coil Thread Size	Dimensions (in)		
				Nut Diam. "K"	Trench Cover Hole Diam. "L"	Nut Thickness "M"
1063405	5000	1.2	1" - 3.5	3.00	3.12	.75
1063414	5000	1.4	1" - 3.5	3.00	3.12	.88
1063423	5000	1.6	1" - 3.5	3.00	3.12	1.00
1063432	10000	1.1	1-1/4" - 3.5	3.00	3.12	.75
1063441	10000	1.3	1-1/4" - 3.5	3.00	3.12	.88
1063450	10000	1.5	1-1/4" - 3.5	3.00	3.12	1.00
1063454	10000	1.9	1-1/4" - 3.5	3.00	3.12	1.25
1063458	10000	2.3	1-1/4" - 3.5	3.00	3.12	1.50
1063469	15000	2.0	1-1/2" - 3.5	3.50	3.62	1.00
1063478	15000	2.6	1-1/2" - 3.5	3.50	3.62	1.25
1063487	15000	3.1	1-1/2" - 3.5	3.50	3.62	1.50