

Crosby Clamp-Co Pipe Grabs

FOR CAST IRON PIPE



Crosby Clamp-Co Pipe Grabs provide an excellent means of handling cylindrical objects as long as they meet "Pipe O.D." and "Working Load Limits" referenced in the table below.

- Capacities: 450 lbs. to 7,000 lbs.
- Moveable outriggers help stabilize the load.
- No blocking of load required
- Individually Proof Tested to 2 times the Working Load Limit with certification.
- Designed to handle loads of various types of material, including:
 - Cast Iron
 - Steel
 - PVC
 - C900
 - Yellowmine Ductile Iron
 - Cement Pipe
- Finish - Red Paint
- Custom sizes are available.
- All sizes are **RFID EQUIPPED**.



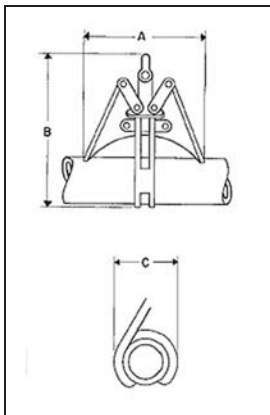
FOR STEEL PIPE



Pipe grab sizes listed will handle all classes in a category of ASA standard cast iron pipe, C900, Yellowmine, Schedule 40, 80 & 120 PVC or ASA standard steel welded and seamless pipe. Standard, extra strong and double extra all have the same outside diameter.

For Cast Iron Pipe

- C-900, C-905, Bluestripe C-906, Certa-Lok PVC Pressure Pipe



Model No.	CCPG-900 Stock No.	Working Load Limit (lbs.)*	Pipe O.D. (in.)	Weight Each (lbs.)	Dimensions (in.)		
					A	B	C
C-3	2730000	450	4.00	10.0	5.00	10.00	6.00
C-4	2730009	600	4.80	11.0	8.00	14.00	7.00
C-6	2730018	1000	6.90	15.0	11.00	17.00	11.00
C-8	2730027	1400	9.05	25.0	13.00	22.00	14.00
C-10	2730036	2000	11.1	48.0	15.00	27.00	17.00
C-12	2730045	2500	13.2	72.0	18.00	32.00	20.00
C-14	2730054	3500	15.3	105	22.00	38.00	23.00
C-16	2730063	4000	17.4	130	24.00	42.00	25.00
C-18	2730072	5000	19.5	170	26.00	45.00	28.00
C-20	2730081	6500	21.6	210	28.00	50.00	32.00
C-24	2730090	7000	25.8	225	31.00	58.00	35.00

* Maximum Proof Load is 2 times the Working Load Limit.

For Steel Pipe

- SDR Class 200, Yellowmine, PVC Schedule 40, 80 & 120

Model No.	CCPC-200 Stock No.	Working Load Limit (lbs.)*	Pipe O.D. (in.)	Weight Each (lbs.)	Dimensions (in.)		
					A	B	C
S-3	2731000	450	3.50	10.0	5.00	10.00	6.00
S-4	2731009	600	4.50	11.0	8.00	14.00	7.00
S-6	2731018	1000	6.63	15.0	11.00	17.00	11.00
S-8	2731027	1400	8.63	25.0	13.00	22.00	14.00
S-10	2731036	2000	10.75	48.0	15.00	27.00	17.00
S-12	2731045	2500	12.75	72.0	18.00	32.00	20.00
S-14	2731054	3500	14.0	105	22.00	38.00	23.00
S-16	2731063	4000	16.0	130	24.00	42.00	25.00
S-18	2731072	5000	18.0	170	26.00	45.00	28.00
S-20	2731081	6500	20.0	210	28.00	50.00	32.00
S-24	2731090	7000	24.0	225	31.00	58.00	35.00

* Maximum Proof Load is 2 times the Working Load Limit.

Crosby Clamp-Co Beam Clamps

BEAM CLAMPS

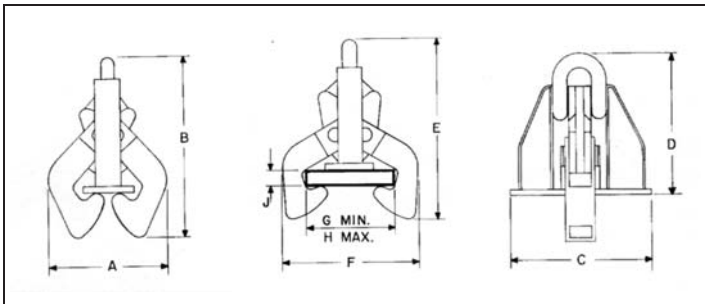


Crosby Clamp-Co Beam Clamps provide an efficient method for handling wide flange beam sections and plate girders. When lifting, these beam clamps grip the beam at three points, and when properly balanced and safely guided, the beam can be handled even if the clamp is slightly off center lengthwise.

- Capacities: 5 Tons to 35 Tons
- Eliminates the need for slings, chokers, and spreader bars.
- When applied to load, the tongs automatically open and slide under the flange of the beam.
- Center plate and gripping tongs work together - the heavier the beam, the greater the clamping pressure.
- Model "NS" clamps have a recessed base to accept studs welded to the beam surface.
- Individually Proof Tested to 2 times the Working Load Limit with certification.
- Finish - Red Paint
- All sizes are **RFID EQUIPPED**.



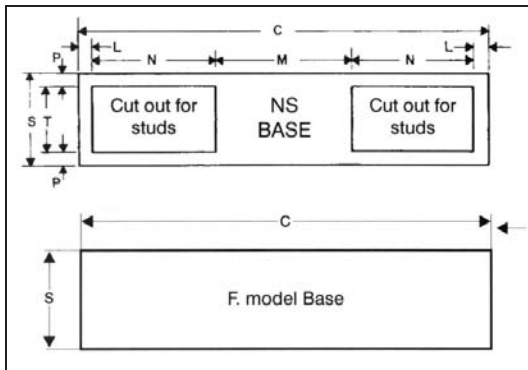
NOTE: Control the beam at all times. Beams should be gripped as near the center as possible. Snubbing lines at each end must be used to control excessive twisting or swinging, and to guide the beam to its proper place. Each lifting situation may have a specific demand which should be addressed before lifting.



Beam Clamps

Model No.	BCFG Stock No.	Working Load Limit (Tons)*	Flange Grip Range (in.)		Weight Each (lbs.)	Dimensions (in.)								
			Width	Thickness		A	B	C	D	E	F	G	H	J
F-5	2732000	5	4 - 10	.5 - 1	70.0	9.50	26.00	12.00	20.00	25.50	16.00	.75	4.00	1.00
F-15	2732009	15	7 - 17	.5 - 2	153	15.50	34.00	17.00	27.00	34.50	25.00	7.00	17.00	2.00
NS-15	2732018	15	7 - 17	.5 - 2	153	15.50	34.00	17.00	27.00	34.50	25.00	7.00	17.00	2.00
F-25	2732027	25	16 - 24	1 - 3	290	23.00	48.00	22.25	36.00	53.00	37.25	16.00	24.00	3.00
NS-25	2732036	25	16 - 24	1 - 3	290	23.00	48.00	22.25	36.00	53.00	37.25	16.00	24.00	3.00
F-35	2732045	35	16 - 36	1.63 - 4	519	30.00	64.00	27.50	48.00	58.00	53.00	16.00	36.00	4.00
NS-35	2732054	35	16 - 36	1.63 - 4	519	30.00	64.00	27.50	48.00	58.00	53.00	16.00	36.00	4.00

* Maximum Proof Load is 2 times the Working Load Limit.



Base Stock No.	Base Dimensions (in.)						
	C	L	M	N	P	S	T
F-5	13.50	-	-	-	-	3.00	-
F-15	17.00	-	-	-	-	4.00	-
NS-15	17.00	.50	6.50	4.50	.75	4.00	2.50
F-25	22.25	-	-	-	-	5.50	-
NS-25	22.25	.75	7.75	6.50	.75	5.50	4.00
F-35	27.50	-	-	-	-	6.00	-
NS-35	27.50	.75	9.00	8.50	.75	6.00	4.50

Crosby IP
Lifting Clamps

Barrier Grabs / Curb Grabs

BARRIER GRAB



Crosby Clamp-Co Barrier Grabs provide a fast and efficient method for handling concrete road barriers.

- Hands-free operation
- Alloy Steel Construction
- Available with polyurethane pads or hardened steel jaw (Replacement kits available).
- Eliminates the need for slings, chokers and spreader bars.
- Individually Proof Tested to 2 times the Working Load Limit with certification.
- Finish - Red Paint
- All sizes are **RFID EQUIPPED**.



Barrier Grab

Type	Model No.	CCBG-150 Stock No.	Working Load Limit (Tons)	Grip Width (in.)	Weight Each (lbs.)
Barrier Grab	BG-9000	2734009	4.5	6 - 12	290

CURB GRAB



Crosby Clamp-Co Curb Grabs provide a fast and efficient method for handling large granite curbs.

- Virtually no manual assistance is required.
- Alloy Steel Construction
- Available with polyurethane pads or hardened steel jaw (Replacement kits available).
- Eliminates the need for slings, chokers and spreader bars.
- Individually Proof Tested to 2 times the Working Load Limit with certification.
- Finish - Red Paint
- All sizes are **RFID EQUIPPED**.



Curb Grab

Type	Model No.	CCGG-140 Stock No.	Working Load Limit (lbs.)	Grip Width (in.)	Weight Each (lbs.)
Granite/Curb Grab	CG-1400	2734000	1400	4 - 7	37.0