

Crosby[®] CLAMP-CO CLAMPS

Setting the
Standard
for Lifting

- **Pipe Clamps**
- **Beam Clamps**
- **Barrier Grabs**
- **Granite / Curb Grabs**



Crosby Products Distributed By:

Crosby® Clamp-Co Clamps

Commitment to Quality

Our commitment to customer service and quality products is evidenced by our many satisfied customers. Crosby® Clamp-Co's pipe grabs, barrier grabs, curbing grabs and beam clamps have been utilized in a variety of applications for more than 20 years.

All load bearing components are manufactured from high strength, abrasion resistant or fatigue-proof steel alloys, and each clamp or grab is individually assembled on dedicated tooling and tested to assure fit and conformance to our performance specifications.

Product Offering

Crosby's Clamp-Co line of clamps allows your company to select the correct product that will provide an effective solution for your lifting application.

- Pipe Grabs
- Barrier Grabs
- Curbing Grabs
- Beam clamps

Typical Applications

Crosby® Clamp-Co clamps are used in a wide variety of applications.

- Bridge Construction
- Oil Field Projects
- Pipeline Projects
- Sewer Line Projects
- Pipe Laying Projects
- Loading and Unloading Pipe
- Moving and Lifting Concrete Pipe
- Moving and Lifting of Heavy Bar Stock, Billets and Timbers
- Steel Erection

Superior Product Design

Beam Clamps

Crosby® Clamp-Co beam clamps grip the beam at three points. The weight of the beam clamp, when placed properly on the beam, automatically opens its tongs, which

then slide under the flanges of the beam. When the clamp is lifted, its center plate and gripping tongs apply pressure against each other—the heavier the beam, the greater the clamping pressure. Model "NS" clamps have a recessed base to accept studs welded to a beam surface.

Pipe Grabs

The design of Crosby® Clamp-Co pipe grabs provide for efficient operation. The operator simply guides the grab into proper position. The moveable outriggers stabilize the pipe regardless of the pipe grab's position. No blocking is required. Pipes can be handled quickly and efficiently when properly balanced. As with all rigging equipment, good rigging practices must be followed.

Pipe grabs shown in this brochure provide an excellent means of handling a variety of pipe constructions, including all classes in a category of ASA standard cast iron pipe, C900, yellowmine, schedule 40, 80 & 120 PVC or ASA standard steel welded and seamless pipe. They will also handle cement pipe, or any cylindrical object whose diameter and weight comes within the parameters of outside diameter and working load limits listed for each model number.

Although the standard product is sized for common sized pipe, custom sizing for specific applications is available upon request.

In addition, beam clamps and pipe grabs meet or exceed the requirements of ASME B30.20, and are also individually proof tested to 200% of WLL.

Re-Certification

Crosby® also provides repair and recertification services for all originally manufactured Crosby® Clamp-Co beam clamps. We will

inspect, rebuild and recertify your worn or damaged Clamp-Co beam clamps to almost new condition on original factory tooling at a substantial savings over the cost of new replacements.

RFID Equipped

Each Crosby® Clamp-Co clamp and grab comes from the factory equipped with RFID chips that can be utilized for electronic inspection tracking.



When used in conjunction with the Crosby® QUIC-CHECK® Inspection and Identification System software, the following benefits can be achieved:

- Efficient, accurate and timely inspections.
- Eliminates handwriting of information
- Inspection support material available
- Provides instant reference to product specific inspection information
- Reduces overall inspection cost

Crosby® Clamp-Co Beam Clamps

BEAM CLAMPS

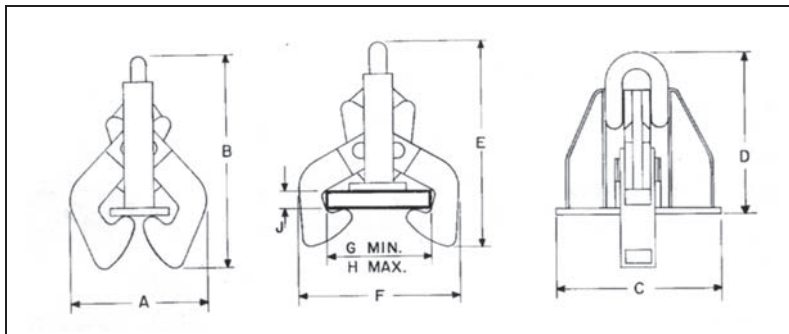


Crosby Clamp-Co Beam Clamps provide an efficient method for handling wide flange beam sections and plate girders. When lifting, these beam clamps grip the beam at three points, and when properly balanced and safely guided, the beam can be handled even if the clamp is slightly off center lengthwise.

- Capacities: 5 Tons to 35 Tons
- Eliminates the need for slings, chokers, and spreader bars.
- When applied to load, the tongs automatically open and slide under the flange of the beam.
- Center plate and gripping tongs work together - the heavier the beam, the greater the clamping pressure.
- Model "NS" clamps have a recessed base to accept studs welded to the beam surface.
- Individually Proof Tested to 2 times the Working Load Limit with certification.
- Finish - Red Paint
- All sizes are **RFID EQUIPPED**.



NOTE: Control the beam at all times. Beams should be gripped as near the center as possible. Snubbing lines at each end must be used to control excessive twisting or swinging, and to guide the beam to its proper place. Each lifting situation may have a specific demand which should be addressed before lifting.

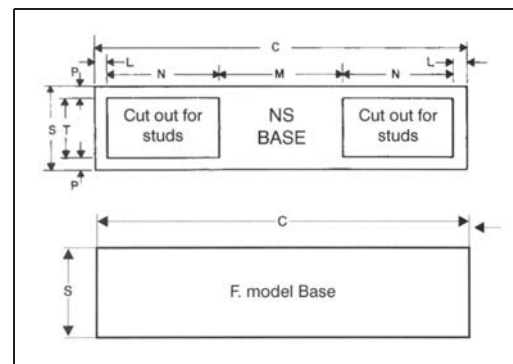


Beam Clamps

Model No.	BCFG Stock No.	Working Load Limit (Tons)*	Flange Grip Range (in.)		Weight Each (lbs.)	Dimensions (in.)								
			Width	Thickness		A	B	C	D	E	F	G	H	J
F-5	2732000	5	4 - 10	.5 - 1	70.0	9.50	26.00	12.00	20.00	25.50	16.00	.75	4.00	1.00
F-15	2732009	15	7 - 17	.5 - 2	153	15.50	34.00	17.00	27.00	34.50	25.00	7.00	17.00	2.00
NS-15	2732018	15	7 - 17	.5 - 2	153	15.50	34.00	17.00	27.00	34.50	25.00	7.00	17.00	2.00
F-25	2732027	25	16 - 24	1 - 3	290	23.00	48.00	22.25	36.00	53.00	37.25	16.00	24.00	3.00
NS-25	2732036	25	16 - 24	1 - 3	290	23.00	48.00	22.25	36.00	53.00	37.25	16.00	24.00	3.00
F-35	2732045	35	16 - 36	1.63 - 4	519	30.00	64.00	27.50	48.00	58.00	53.00	16.00	36.00	4.00
NS-35	2732054	35	16 - 36	1.63 - 4	519	30.00	64.00	27.50	48.00	58.00	53.00	16.00	36.00	4.00

* Maximum Proof Load is 2 times the Working Load Limit.

Base Stock No.	Base Dimensions (in.)						
	C	L	M	N	P	S	T
F-5	13.50	-	-	-	-	3.00	-
F-15	17.00	-	-	-	-	4.00	-
NS-15	17.00	.50	6.50	4.50	.75	4.00	2.50
F-25	22.25	-	-	-	-	5.50	-
NS-25	22.25	.75	7.75	6.50	.75	5.50	4.00
F-35	27.50	-	-	-	-	6.00	-
NS-35	27.50	.75	9.00	8.50	.75	6.00	4.50



Crosby® Clamp-Co Pipe Grabs

“C” SERIES PIPE GRABS



Crosby Clamp-Co Pipe Grabs provide an excellent means of handling cylindrical objects as long as they meet "Pipe O.D." and "Working Load Limits" referenced in the table below.

- Capacities: 450 lbs. to 7,000 lbs.
- Moveable outriggers help stabilize the load.
- No blocking of load required
- Individually Proof Tested to 2 times the Working Load Limit with certification.
- Designed to handle loads of various types of material, including:
 - Cast Iron
 - Steel
 - PVC
 - C900
 - Yellowmine Ductile Iron
 - Cement Pipe
- Finish - Red Paint
- Custom sizes are available.
- All sizes are **RFID EQUIPPED**.



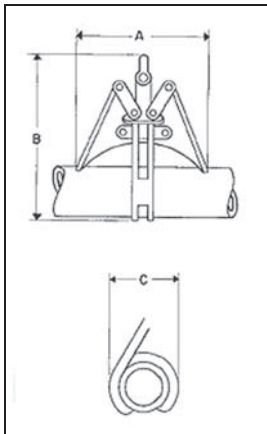
“S” SERIES PIPE GRABS



Pipe grab sizes listed will handle all classes in a category of ASA standard cast iron pipe, C900, Yellowmine, Schedule 40, 80 & 120 PVC or ASA standard steel welded and seamless pipe. Standard, extra strong and double extra all have the same outside diameter.

“C” SERIES PIPE GRABS

- Cast Iron, C-900, C-905, Bluestripe C-906, Certa-Lok PVC Pressure Pipe



Model No.	CCPG-900 Stock No.	Working Load Limit (lbs.)*	Pipe O.D. (in.)	Weight Each (lbs.)	Dimensions (in.)		
					A	B	C
C-3	2730000	450	4.00	10.0	5.00	10.00	6.00
C-4	2730009	600	4.80	11.0	8.00	14.00	7.00
C-6	2730018	1000	6.90	15.0	11.00	17.00	11.00
C-8	2730027	1400	9.05	25.0	13.00	22.00	14.00
C-10	2730036	2000	11.1	48.0	15.00	27.00	17.00
C-12	2730045	2500	13.2	72.0	18.00	32.00	20.00
C-14	2730054	3500	15.3	105	22.00	38.00	23.00
C-16	2730063	4000	17.4	130	24.00	42.00	25.00
C-18	2730072	5000	19.5	170	26.00	45.00	28.00
C-20	2730081	6500	21.6	210	28.00	50.00	32.00
C-24	2730090	7000	25.8	225	31.00	58.00	35.00

* Maximum Proof Load is 2 times the Working Load Limit.

“S” SERIES PIPE GRABS

- Steel, SDR Class 200, Yellowmine, PVC Schedule 40, 80 & 120

Model No.	CCPC-200 Stock No.	Working Load Limit (lbs.)*	Pipe O.D. (in.)	Weight Each (lbs.)	Dimensions (in.)		
					A	B	C
S-3	2731000	450	3.50	10.0	5.00	10.00	6.00
S-4	2731009	600	4.50	11.0	8.00	14.00	7.00
S-6	2731018	1000	6.63	15.0	11.00	17.00	11.00
S-8	2731027	1400	8.63	25.0	13.00	22.00	14.00
S-10	2731036	2000	10.75	48.0	15.00	27.00	17.00
S-12	2731045	2500	12.75	72.0	18.00	32.00	20.00
S-14	2731054	3500	14.0	105	22.00	38.00	23.00
S-16	2731063	4000	16.0	130	24.00	42.00	25.00
S-18	2731072	5000	18.0	170	26.00	45.00	28.00
S-20	2731081	6500	20.0	210	28.00	50.00	32.00
S-24	2731090	7000	24.0	225	31.00	58.00	35.00

* Maximum Proof Load is 2 times the Working Load Limit.

Crosby® Clamp-Co Curb Grabs

BARRIER GRAB



Crosby Clamp-Co Barrier Grabs provide a fast and efficient method for handling concrete road barriers.

- Hands-free operation
- Alloy Steel Construction
- Available with polyurethane pads or hardened steel jaw (Replacement kits available).
- Eliminates the need for slings, chokers and spreader bars.
- Individually Proof Tested to 2 times the Working Load Limit with certification.
- Finish - Red Paint
- All sizes are **RFID EQUIPPED**.



Barrier Grab

Type	Model No.	CCBG-150 Stock No.	Working Load Limit (Tons)	Grip Width (in.)	Weight Each (lbs.)
Barrier Grab	BG-9000	2734009	4.5	6 - 12	290

CURB GRAB



Crosby Clamp-Co Barrier Grabs provide a fast and efficient method for handling large granite curbs.

- Virtually no manual assistance is required.
- Alloy Steel Construction
- Available with polyurethane pads or hardened steel jaw (Replacement kits available).
- Eliminates the need for slings, chokers and spreader bars.
- Individually Proof Tested to 2 times the Working Load Limit with certification.
- Finish - Red Paint
- All sizes are **RFID EQUIPPED**.



Curb Grab

Type	Model No.	CCGG-140 Stock No.	Working Load Limit (lbs.)	Grip Width (in.)	Weight Each (lbs.)
Granite/Curb Grab	CG-1400	2734000	1400	4 - 7	37.0

Visit
www.thecrosbygroup.com
for additional information on new
products, including:



S-237
High Performance
Web Connector



L-562A
ROV Hook



A-1362
Eliminator
Chain System



RFID
Equipped
Products

“When buying Crosby, you’re buying more than product, you’re buying **Quality.”**

**the Crosby[®]group,
inc.**

U.S.A.
P.O. Box 3128
Tulsa, OK 74010
(918) 834-4611
Fax (918) 832-0940
crosbygroup@thecrosbygroup.com

CANADA
145 Heart Lake Road
Brampton, Canada L6W3K3
(905) 451-9261
Fax (877) 260-5106
sales@crosby.ca

EUROPE
Industriepark Zone B nr 26,
B-2220 HEIST-OP-DEN-BERG
Belgium
32-15-75-71-26
FAX 32-15-75-37-64
sales@crosbyeu.com